

**EXPLANATION OF ABBREVIATIONS IN CATALOGUE**

**VERDUIDELIKING VAN AFKORTINGS IN KATALOGUS**

	DIRECT CALF TRAITS	DIREKTE KALF EIENSKAPPE	Kalf eienskappe
Calf traits	DIRECT CALF TRAITS	DIREKTE KALF EIENSKAPPE	Kalf eienskappe
Daughter traits	DAUGHTER TRAITS	DOGTER EIENSKAPPE	Dogter eienskappe
Growth traits	GROWTH	GROEI	Groei eienskappe
Efficiency traits	EFF	DOEL	Doeltreffendheids eienskappe
Reproduction traits	REPRODUCTION	REPRODUKSIE	Reproduksie eienskappe
Body measurements	MEASURE	MATES	Liggaamsmates
Lot number	Lot	Lot	Lotnommer
Ratio	R:	V:	Verhouding
Identification number	ID	ID	Identifikasienommer
Generation/Section of Herdbook	Gen	Gen	Generasie/Afdeling van kuddeboek
Weight in kilogram	Wgt kg	Gew kg	Gewig in kilogram
Index	Ind	Ind	Indeks
Accuracy of breeding value	Acc	Akk	Akkuraatheid van teelwaarde
Birth direct (kg)	Birth Dir	Geb Dir	Geboorte direk (kg)
Birth maternal (kg)	Birth Mat	Geb Mat	Geboorte maternaal (kg)
Wean direct (kg)	Wean Dir	Speen Dir	Speen direk (kg)
Wean maternal (kg)	Wean Mat	Speen Mat	Speen maternaal (kg)
Mature weight (kg)	Mature Wgt	Volw Gew	Volwasse gewig (kg)
365 Days (kg)	365d	365d	365 Dae (kg)
540 Days (kg)	540d	540d	540 Dae (kg)
Average daily gain (g/day)	ADG	GDT	Gemiddelde daaglikse toename (g/dag)
Feed conversion ratio	FCR	VOV	Voeromsetverhouding
Scrotal circumference (mm)	SC	SO	Skrotum omvang (mm)
Age First Calving	AFC	OEK	Ouderdom Eerste Kalwing
Inter Calving Period	ICP	TKP	Tussen Kalf Periode
Height (mm)	Hgt	Hgt	Hoogte (mm)
Length (mm)	Lgt	Lgt	Lengte (mm)
Length : Height ratio	LHR	HLV	Lengte : Hoogte verhouding
Birth weight : Cow weight ratio	BWR	GGV	Geboortegewig : Koeigewig verhouding
Wean weight : Cow weight ratio	WWR	SGV	Speengewig : Koeigewig verhouding
Age in years and months / Number of calvings	Age / Calv	Oud / Kalw	Ouderdom in jare en maande / Aantal kalwings
Average Wean index / Number of calves	Ave WI / Calf	Gem SI / Kalf	Gemiddelde Speenindeks / Aantal kalwers
Reproduction index	R.I.	R.I.	Reproduksie Indeks
Polled	Polled	Poena	Poena
Post Wean 365 days & Post Wean 540 days	PW365 & PW540	NS365 & NS540	Naspeen 365 dae & Naspeen 540 dae
Growth test & Growth test group	GT & GTg	GT & GTg	Groei Toets & Groeitoets groep
Central test	CT	ST	Sentrale toets
Ouerskap Verifikasie	OV	PV	Parentage Verification
Genomies Getoets	GT	GT	Genomically Tested
Homosigoties Poena (Celtic Toets)	PP(c)	PP(c)	Homozygous Polled (Celtic Test)
Heterosigoties Poena (Celtic Toets)	Pp(c)	Pp(c)	Heterozygous Polled (Celtic Test)
Beide Ouers Geverifieer	PV	PV	Both Parents Verified
Sire Geverifieer	SV	SV	Sire Verified
Dam Geverifieer	DV	DV	Dam Verified

## FEMALE ANIMALS


Lot	Seller	ID	PARENTS	Test	Breeding Value Indexes											LHR	Days Open	Breeder Own Remarks							
					SIRE GV PV	Genomic Tested	Birth Dir		Wean Dir		Birth Mat	Wean Mat	Mat Wgt	Post Wean					ADG	FCR	SC	Hgt	Lgt	WWR	Age
							DNA	Acc	Acc	Acc	Acc	Acc	Acc	Acc	Acc				Acc	Acc	Acc	Acc	Acc		

## Pregnant Cows


100 A	PAUL MARE BONSMARA STOET	LMR 130273	AG 070124	PW540	<b>98</b>	<b>87</b>	<b>116</b>	<b>98</b>	<b>82</b>	<b>90</b>	<b>83</b>	<b>91</b>	<b>98</b>	<b>77</b>	<b>86</b>	-	173	4 Maande dragtig van FUZ 15-019
					1.23	7.6	-0.91	3.3	-10.0	14.8	19	-28	7.8	-17	-7	-	6.6	
			LMR 100193	11.09.13	81	76	72	74	41	70	56	27	61	62	60	-	4	
100 B	PAUL MARE BONSMARA STOET	LMR 130311	LMR 090026	PW540	<b>97</b>	<b>76</b>	<b>110</b>	<b>99</b>	<b>96</b>	<b>69</b>	<b>76</b>	<b>88</b>	<b>76</b>	<b>81</b>	<b>85</b>	-	149	3 Maande dragtig van FUZ 15-019
					1.33	2.5	-0.65	3.5	5.0	0.3	-15	-21	-9.5	-14	-8	-	6.6	
			LMR 030244	17.09.13	82	76	72	74	43	70	61	34	66	67	65	-	4	
100 C	PAUL MARE BONSMARA STOET	LMR 140079	HART090136	PW540	<b>103</b>	<b>89</b>	<b>118</b>	<b>105</b>	<b>83</b>	<b>87</b>	<b>100</b>	<b>92</b>	<b>98</b>	<b>101</b>	<b>102</b>	-	351	2 Maande dragtig van AG 09-751
					0.75	8.3	-1.04	5.3	-9.0	13.0	95	-29	8.2	3	17	-	6.1	
			LMR 060230	03.04.14	82	77	69	74	36	71	52	24	55	56	55	33.8	3	
101 A	PAUL MARE BONSMARA STOET	LMR 130103	AG 030256	PW540	<b>81</b>	<b>110</b>	<b>89</b>	<b>93</b>	<b>94</b>	<b>97</b>	<b>102</b>	<b>114</b>	<b>104</b>	<b>98</b>	<b>94</b>	-	223	4 Maande dragtig van LMR 16-124
					3.00	17.8	0.31	1.8	3.0	19.9	102	-77	12.7	0	5	-	7	
			LMR 050137	15.04.13	82	77	75	74	53	72	63	41	66	66	65	-	4	
101 B	PAUL MARE BONSMARA STOET	LMR 130009	LAR 060039	PW540	<b>77</b>	<b>115</b>	<b>115</b>	<b>83</b>	<b>108</b>	<b>114</b>	<b>98</b>	<b>91</b>	<b>106</b>	<b>96</b>	<b>105</b>	-	149	2 Maande dragtig van ABM 16-106
					3.50	20.0	-0.90	-0.9	19.0	31.4	84	-28	14.7	-2	21	-	7.1	
			LMR 070059	17.03.13	81	76	72	74	39	71	52	36	54	54	54	-	4	
102 A	PAUL MARE BONSMARA STOET	LMR 110337	LMR 060078	PW540	<b>77</b>	<b>103</b>	<b>102</b>	<b>103</b>	<b>105</b>	<b>92</b>	<b>102</b>	<b>101</b>	<b>89</b>	<b>94</b>	<b>103</b>	-	257	4 Maande dragtig van LMR 16-124
					3.42	14.5	-0.30	4.6	15.0	15.9	105	-48	0.7	-3	18	-	8.5	
			LMR 050190	03.11.11	83	79	76	79	37	72	62	43	66	66	65	-	5	

1.02	13.3	-0.19	3.8	10	21.7	95	-46	9.6	2	14
------	------	-------	-----	----	------	----	-----	-----	---	----


**Lot 100A** <sup>4</sup>Maande dragtig van FUZ 15-019

<p><b>LMR 130273</b> SPN Mat. 98 AFC 28 ICP 461 RI 103 Age/Calv. 6/4 Avg. WI/Calf 97/4</p>	<p><b>AG 070124</b> SPN Mat. 101</p> 	<p><b>RCO 000091</b> SPN Mat. 70</p>	<p><b>AG J 0008</b> SPN Mat. 88 <b>RCO 970137</b> SPN Mat. 80 <b>AG 950059</b> SPN Mat. 102 <b>AG 960190</b> SPN Mat. 95 <b>EI 980080</b> SPN Mat. 88 <b>LAR 030080</b> SPN Mat. 73 <b>AG 010258</b> SPN Mat. 95 <b>LMR 970141</b> SPN Mat. 102</p>
<p><b>LMR 100193</b> AFC 36 SPN Mat. 100 ICP 397 Age/Calv. 10/7 RI 104 Avg. WI/Calf 107/4</p>	<p><b>LMR 050082</b> AFC 36 SPN Mat. 100 ICP 414 Age/Calv. 12/9 Avg. WI/Calf 98/9</p>	<p><b>AG 990163</b> AFC 35 SPN Mat. 102 ICP 440 Age/Calv. 13/9 Avg. WI/Calf 103/9</p>	<p><b>LAR 060039</b> SPN Mat. 64</p>


**Lot 100B** <sup>3</sup>Maande dragtig van FUZ 15-019

<p><b>LMR 130311</b> SPN Mat. 99 AFC 35 ICP 402 RI 102 Age/Calv. 6/4 Avg. WI/Calf 98/3</p>	<p><b>LMR 090026</b> SPN Mat. 96</p> 	<p><b>AG 010258</b> SPN Mat. 95</p>	<p><b>AG 980338</b> SPN Mat. 87 <b>AG 950251</b> SPN Mat. 109 <b>HDE 980132</b> SPN Mat. 75 <b>LMR 980145</b> SPN Mat. 118 <b>AG 950284</b> SPN Mat. 58 <b>AG 920102</b> SPN Mat. 78 <b>LMR 940111</b> SPN Mat. 128 <b>LMR 980041</b> SPN Mat. 117</p>
<p><b>LMR 030244</b> AFC 35 SPN Mat. 106 ICP 426 Age/Calv. 10/7 RI 100 Avg. WI/Calf 108/6</p>	<p><b>LMR 010208</b> AFC 31 SPN Mat. 113 ICP 390 Age/Calv. 12/10 Avg. WI/Calf 100/8</p>	<p><b>AG 990166</b> SPN Mat. 80</p>	<p><b>LMR 010208</b> AFC 31 SPN Mat. 113 ICP 390 Age/Calv. 12/10 Avg. WI/Calf 100/8</p>


**Lot 100C** <sup>2</sup>Maande dragtig van AG 09-751

<p><b>LMR 140079</b> SPN Mat. 105 AFC 35 ICP 399 RI 100 Age/Calv. 5/3 Avg. WI/Calf 102/3</p>	<p><b>HART090136</b> SPN Mat. 99</p> 	<p><b>WAT 040339</b> SPN Mat. 110</p>	<p><b>WAT 020054</b> SPN Mat. 98 <b>WAT 000072</b> SPN Mat. 102 <b>LAR 980060</b> SPN Mat. 74 <b>RCO 970090</b> SPN Mat. 116 <b>RCO 970028</b> SPN Mat. 104 <b>LMR 920101</b> SPN Mat. 101 <b>NFS 000121</b> SPN Mat. 83 <b>GID 990015</b> SPN Mat. 73</p>
<p><b>LMR 060230</b> AFC 32 SPN Mat. 102 ICP 443 Age/Calv. 11/8 RI 100 Avg. WI/Calf 99/7</p>	<p><b>JBR 030059</b> AFC 35 SPN Mat. 96 ICP 403 Age/Calv. 11/8 Avg. WI/Calf 102/7</p>	<p><b>RCO 020049</b> AFC 31 SPN Mat. 96 ICP 362 Age/Calv. 13/12 Avg. WI/Calf 96/11</p>	<p><b>LMR 030259</b> SPN Mat. 114 Silver</p>


**Lot 101A** <sup>4</sup>Maande dragtig van LMR 16-124

<p><b>LMR 130103</b> SPN Mat. 93 AFC 35 ICP 428 RI 98 Age/Calv. 6/4 Avg. WI/Calf 95/3</p>	<p><b>AG 030256</b> SPN Mat. 86</p> 	<p><b>AG 980338</b> SPN Mat. 87</p>	<p><b>AG 930210</b> SPN Mat. 104 <b>AG 920184</b> SPN Mat. 102 <b>AG K 0066</b> SPN Mat. 101 <b>AG L 0017</b> SPN Mat. 102 <b>AG 980338</b> SPN Mat. 87 <b>AG 950251</b> SPN Mat. 109 <b>TLB J 0030</b> SPN Mat. 103 <b>LMR 920039</b> SPN Mat. 128</p>
<p><b>LMR 050137</b> AFC 31 SPN Mat. 109 ICP 398 Age/Calv. 9/7 RI 108 Avg. WI/Calf 105/6</p>	<p><b>LMR 960053</b> AFC 31 SPN Mat. 127 ICP 368 Age/Calv. 14/12 Avg. WI/Calf 105/11</p>	<p><b>AG 930063</b> AFC 30 SPN Mat. 100 ICP 387 Age/Calv. 16/14 Avg. WI/Calf 104/13</p>	<p><b>LMR 960053</b> AFC 31 SPN Mat. 127 ICP 368 Age/Calv. 14/12 Avg. WI/Calf 105/11</p>

**Lot 101B** <sup>2</sup>Maande dragtig van ABM 16-106

<p><b>LMR 130009</b> SPN Mat. 83 AFC 36 ICP 451 RI 94 Age/Calv. 7/4 Avg. WI/Calf 97/3</p>	<p><b>LAR 060039</b> SPN Mat. 64</p> 	<p><b>EI 980080</b> SPN Mat. 88</p>	<p><b>BG 960125</b> SPN Mat. 100 <b>EI 950140</b> SPN Mat. 101 <b>LAR 980272</b> SPN Mat. 57 <b>LAR 970251</b> SPN Mat. 111 <b>EI 990328</b> SPN Mat. 101 <b>EI 970113</b> SPN Mat. 113 <b>AG 910241</b> SPN Mat. 65 <b>LMR 940083</b> SPN Mat. 104</p>
<p><b>LMR 070059</b> AFC 39 SPN Mat. 103 ICP 458 Age/Calv. 7/4 RI 89 Avg. WI/Calf 97/2</p>	<p><b>LMR 000172</b> AFC 33 SPN Mat. 119 ICP 419 Age/Calv. 12/9 Avg. WI/Calf 116/7</p>	<p><b>LAR 030080</b> AFC 35 SPN Mat. 73 ICP 381 Age/Calv. 8/6 Avg. WI/Calf 100/5</p>	<p><b>EI 020095</b> SPN Mat. 88</p>

**Lot 102A** <sup>4</sup>Maande dragtig van LMR 16-124

<p><b>LMR 110337</b> SPN Mat. 103 AFC 37 ICP 427 RI 96 Age/Calv. 8/5 Avg. WI/Calf 102/4</p>	<p><b>LMR 060078</b> SPN Mat. 98 Bronze</p> 	<p><b>AG 020193</b> SPN Mat. 110</p>	<p><b>AG 980338</b> SPN Mat. 87 <b>AG 950001</b> SPN Mat. 118 <b>AG 920143</b> SPN Mat. 98 <b>LMR 940058</b> SPN Mat. 99 <b>AG 980338</b> SPN Mat. 87 <b>AG 950251</b> SPN Mat. 109 <b>TCN N 0027</b> SPN Mat. 98 <b>LMR N 0021</b> SPN Mat. 79</p>
<p><b>LMR 050190</b> AFC 39 SPN Mat. 106 ICP 402 Age/Calv. 11/8 RI 101 Avg. WI/Calf 102/8</p>	<p><b>LMR 920101</b> AFC 35 SPN Mat. 101 ICP 428 Age/Calv. 13/10 Avg. WI/Calf 101/10</p>	<p><b>LMR 980009</b> AFC 37 SPN Mat. 101 ICP 421 Age/Calv. 10/7 Avg. WI/Calf 103/5</p>	<p><b>LMR 920101</b> AFC 35 SPN Mat. 101 ICP 428 Age/Calv. 13/10 Avg. WI/Calf 101/10</p>

**VROULIKE DIERE**


Lot	Verkoper	ID	OUERS	Toets	Teelwaarde indekse											Dae Oop	Gebruiker Eie Opmerkings		
					VADER GV OV	Genomies Getoets	Geb Dir	Speen Dir	Geb Mat	Speen Mat	Volw Gew	Naspeen	GDT	VOV	SO			Hgt	Lgt
		POENA	MOEDER GV OV	DNS	Akk	Akk	Akk	Akk	Akk	Akk	Akk	Akk	Akk	Akk	Akk	Akk	GGV	Oud	
		Gen		Geb. dat.	Gew kg	Gew kg	Ind	kg	kg	kg	365d Ind	540d Ind	Ind	Ind	(mm)	(mm)	(mm)	SGV	Kalwers
<b>Dragtige Koeie</b>																			
102 B	PAUL MARE BONSMARA STOET	LMR 120201	AG 080158	NS540	<b>100</b>	<b>99</b>	<b>106</b>	<b>99</b>	<b>96</b>	<b>97</b>	<b>94</b>	<b>98</b>	<b>106</b>	<b>82</b>	<b>94</b>	-	198	3 Maande dragtig van LMR 14-216	
		SP	LMR 090063		1.06	12.8	-0.49	3.6	5.0	19.9	70	-41	14.5	-13	4	-	8.2		
				04.03.12	82	78	75	77	57	72	56	31	60	61	60	-	54.8		5
102 C	PAUL MARE BONSMARA STOET	LMR 120093	VVZ 080078	NS540	<b>104</b>	<b>87</b>	<b>120</b>	<b>99</b>	<b>86</b>	<b>89</b>	<b>89</b>	<b>94</b>	<b>104</b>	<b>93</b>	<b>95</b>	-	203	4 Maande dragtig van LMR 14-216	
		SP	LMR 080287		0.63	7.5	-1.13	3.6	-6.0	13.9	43	-33	12.4	-4	6	-	8		
				21.04.12	82	77	74	77	44	68	56	28	61	62	60	-	39.8		5
103 A	PAUL MARE BONSMARA STOET	JMP 050090	JMP 020189	NS540	<b>97</b>	<b>94</b>	<b>97</b>	<b>103</b>	<b>117</b>	<b>97</b>	<b>100</b>	<b>95</b>	<b>98</b>	<b>99</b>	<b>103</b>	-	195	8 Maand dragtig van LMR 16-388	
		PH		DNS	1.32	10.6	-0.03	4.6	28.0	19.9	95	-35	7.8	1	17	-	15		
		SP	JMP 970071		90	88	87	90	49	78	75	71	79	80	79	-	13		
103 B	PAUL MARE BONSMARA STOET	LMR 100237	LAR 050179	NS365	<b>92</b>	<b>120</b>	<b>109</b>	<b>99</b>	<b>123</b>	<b>116</b>	<b>111</b>	<b>103</b>	<b>99</b>	<b>91</b>	<b>110</b>	-	196	4 Maande dragtig van LMR 16-124	
		SP			1.90	22.4	-0.61	3.6	34.0	33.1	144	-52	8.6	-5	27	-	9.6		
			LMR 020082		85	80	80	82	40	69	62	34	67	68	66	-	7		
103 C	PAUL MARE BONSMARA STOET	HT 090122		-	<b>112</b>	<b>84</b>	<b>93</b>	<b>108</b>	<b>87</b>	<b>86</b>	<b>92</b>	-	<b>108</b>	<b>100</b>	<b>99</b>	-	231	4 Maand dragtig van LMR 16-388	
		P			-0.28	6.1	0.11	5.9	-5.0	11.7	58	-	16.0	2	11	-	11.3		
		A		01.01.09	74	67	75	79	16	42	47	-	56	58	55	-	8		
<b>Koeie met Kalwers</b>																			
104 A	PAUL MARE BONSMARA STOET	LMR 140301	LMR 070316	NS540	<b>78</b>	<b>116</b>	<b>88</b>	<b>99</b>	<b>111</b>	<b>109</b>	<b>103</b>	<b>103</b>	<b>103</b>	<b>85</b>	<b>100</b>	-	BONMLMR 190416		
		SP			3.33	20.5	0.36	3.5	21.0	28.1	109	-54	11.6	-10	13	-	31.12.19 (42)		
			LMR 100237		81	76	70	71	39	70	55	30	58	58	57	-	BONMLMR 130308		
				15.09.14	43											-			

# BONSAAR BEESTERINGSSTAMBOEK VAN SA


Saamgestel deur die Suid-Afrikaanse Stamboek- en Veeverbeteringsvereniging

Veilingsdatum: 07/05/2020  
Data soos op 29/04/2020 15:06:42


**Lot 102B** <sup>3</sup>Maande dragtig van LMR 14-216

<p><b>LMR 120201</b> SPN Mat. 99 OEK 37 TKP 414 RI 99 Oud/Kalw. 8/5 Gem. Si/Kalf 99/4</p>	<p><b>AG 080158</b> SPN Mat. 115</p> 	<p><b>EI 940339</b> SPN Mat. 117</p> <p><b>AG 060016</b> OEK 31 SPN Mat. 84 TKP 375 Oud/Kalw. 9/7 Gem. Si/Kalf 102/5</p> <p><b>AG 010258</b> SPN Mat. 95</p> <p><b>LMR 040341</b> OEK 37 SPN Mat. 83 TKP 541 Oud/Kalw. 8/4 Gem. Si/Kalf 95/2</p>	<p><b>EI 920079</b> SPN Mat. 129 <b>EI 920048</b> SPN Mat. 105 <b>LAR 010176</b> SPN Mat. 84 <b>AG 020194</b> SPN Mat. 75 <b>AG 980338</b> SPN Mat. 87 <b>AG 950251</b> SPN Mat. 109 <b>PHR 000069</b> SPN Mat. 57 <b>LMR 990036</b> SPN Mat. 117</p>
---	--	--	---


**Lot 102C** <sup>4</sup>Maande dragtig van LMR 14-216

<p><b>LMR 120093</b> SPN Mat. 99 OEK 39 TKP 387 RI 101 Oud/Kalw. 7/5 Gem. Si/Kalf 97/4</p>	<p><b>WVZ 080078</b> SPN Mat. 116</p> 	<p><b>MMJ 030209</b> SPN Mat. 99</p> <p><b>WVZ 020047</b> OEK 40 SPN Mat. 115 TKP 410 Oud/Kalw. 8/5 Gem. Si/Kalf 104/4</p> <p><b>LMR 060044</b> SPN Mat. 105 Silver</p> <p><b>LMR 060089</b> OEK 30 SPN Mat. 81 TKP 404 Oud/Kalw. 9/7 Gem. Si/Kalf 97/6</p>	<p><b>MMJ 010105</b> SPN Mat. 107 <b>MMJ 000270</b> SPN Mat. 91 <b>WVZ 930093</b> SPN Mat. 139 <b>WVZ 960049</b> SPN Mat. 82 <b>AG 020193</b> SPN Mat. 110 <b>LMR 960035</b> SPN Mat. 111 <b>AEJ 970082</b> SPN Mat. 80 <b>MCH 980012</b> SPN Mat. 117</p>
--	---	---	--


**Lot 103A** <sup>8</sup>Maand dragtig van LMR 16-388

<p><b>JMP 050090</b> SPN Mat. 103 OEK * TKP RI 115 Oud/Kalw. */13 Gem. Si/Kalf 97/13</p>	<p><b>JMP 020189</b> SPN Mat. 131 Brons</p> 	<p><b>BG 960035</b> SPN Mat. 145</p> <p><b>TWK 970084</b> OEK * SPN Mat. 117 TKP Oud/Kalw. */6 Gem. Si/Kalf 110/6</p> <p><b>LPS 920051</b> SPN Mat. 82</p> <p><b>GV N 0014</b> OEK 28 SPN Mat. 85 TKP 372 Oud/Kalw. 14/12 Gem. Si/Kalf 99/11</p>	<p><b>VV 930249</b> SPN Mat. 87 <b>OB N 0232</b> SPN Mat. 145 <b>TWK 940023</b> SPN Mat. 96 <b>TWK 930126</b> SPN Mat. 80 <b>AG L 0157</b> SPN Mat. 97 <b>AEM H 0048</b> SPN Mat. 100 <b>GV J 0024</b> SPN Mat. 104 <b>GV J 0151</b> SPN Mat. 67</p>
--	---	--	--


**Lot 103B** <sup>4</sup>Maande dragtig van LMR 16-124

<p><b>LMR 100237</b> SPN Mat. 99 OEK 36 TKP 369 RI 108 Oud/Kalw. 9/7 Gem. Si/Kalf 105/6</p>	<p><b>LAR 050179</b> SPN Mat. 91</p> 	<p><b>LAR 010297</b> SPN Mat. 71</p> <p><b>LAR 950050</b> OEK 33 SPN Mat. 153 TKP 433 Oud/Kalw. 19/15 Gem. Si/Kalf 111/14</p> <p><b>LMR 940111</b> SPN Mat. 128</p> <p><b>LMR 000076</b> OEK 28 SPN Mat. 80 TKP 408 Oud/Kalw. 9/7 Gem. Si/Kalf 94/6</p>	<p><b>AG 920097</b> SPN Mat. 49 <b>LAR 960332</b> SPN Mat. 113 <b>AG N 0081</b> SPN Mat. 70 <b>LAR 920117</b> SPN Mat. 152 <b>AG 920282</b> SPN Mat. 113 <b>AG 910273</b> SPN Mat. 118 <b>NFS 920075</b> SPN Mat. 106 <b>LMR N 0024</b> SPN Mat. 89</p>
---	--	---	---

**Lot 103C** <sup>4</sup>Maand dragtig van LMR 16-388

<p><b>HT 090122 P</b> SPN Mat. 108 OEK * TKP 348 RI 120 Oud/Kalw. */8 Gem. Si/Kalf 102/8</p>	<p>SPN Mat.</p> 	<p>SPN Mat.</p> <p><b>OEK</b> SPN Mat. <b>TKP</b> Oud/Kalw. / Gem. Si/Kalf /</p> <p>SPN Mat.</p> <p><b>OEK</b> SPN Mat. <b>TKP</b> Oud/Kalw. / Gem. Si/Kalf /</p>	<p>SPN Mat.</p> <p>SPN Mat.</p> <p>SPN Mat.</p> <p>SPN Mat.</p> <p>SPN Mat.</p> <p>SPN Mat.</p> <p>SPN Mat.</p>
--	---	---	---

**Lot 104A**

<p><b>LMR 140301</b> SPN Mat. 99 OEK 37 TKP 402 RI 97 Oud/Kalw. 5/3 Gem. Si/Kalf 92/2</p>	<p><b>LMR 070316</b> SPN Mat. 116</p> 	<p><b>AG 020193</b> SPN Mat. 110</p> <p><b>LMR 030010</b> OEK 35 SPN Mat. 121 TKP 411 Oud/Kalw. 13/10 Gem. Si/Kalf 104/9</p> <p><b>LAR 050179</b> SPN Mat. 91</p> <p><b>LMR 020082</b> OEK 31 SPN Mat. 106 TKP 481 Oud/Kalw. 9/6 Gem. Si/Kalf 100/5</p>	<p><b>AG 980338</b> SPN Mat. 87 <b>AG 950001</b> SPN Mat. 118 <b>AG 990017</b> SPN Mat. 99 <b>LMR 960046</b> SPN Mat. 122 <b>LAR 010297</b> SPN Mat. 71 <b>LAR 950050</b> SPN Mat. 153 <b>LMR 940111</b> SPN Mat. 128 <b>LMR 000076</b> SPN Mat. 80</p>
---	---	---	---

## FEMALE ANIMALS

Lot	Seller	ID	PARENTS	Test	Breeding Value Indexes											R:	MEASUREMENTS	Calf ID	Breeder Own Remarks														
					DIRECT CALF TRAITS		DAUGHTER TRAITS			GROWTH		EFF.	REP	MEASUREMENTS						CALF AT FOOT													
		POLLED		SIRE		Genomic Tested		Birth Dir		Wean Dir		Birth Mat		Wean Mat		Mat Wgt		Post Wean		ADG		FCR		SC		Hgt		Lgt		LHR		Birth Date (Weight)	
		Gen		GV PV		DNA		Acc		Acc		Acc		Acc		Acc		Acc		Acc		Acc		Acc		Acc		Acc		WWR		Sire	
				DAM		Birth Date		Wgt kg		Wgt kg Ind		kg		kg		kg		365dM Ind		540d Ind		Ind		Ind		(mm)		(mm)		(mm)		GT / POLLED	

### Cows with Calves


104 B	PAUL MARE BONSMARA STOET	LMR 140337	BPJ 080022	PW540	<b>89</b>	<b>93</b>	<b>100</b>	<b>123</b>	<b>95</b>	<b>110</b>	<b>103</b>	<b>103</b>	<b>95</b>	<b>94</b>	<b>102</b>	-	BONFLMR 190295
					2.15	10.0	-0.21	10.1	4.0	28.8	109	-52	5.2	-3	16	-	BONMLAR 140173
			RCO 990248	27.09.14	37												
104 C	PAUL MARE BONSMARA STOET	LMR 140143	AEJ 090102	PW540	<b>85</b>	<b>108</b>	<b>72</b>	<b>98</b>	<b>100</b>	<b>105</b>	<b>86</b>	<b>92</b>	<b>102</b>	<b>92</b>	<b>103</b>	-	BONFLMR 200003
					2.59	17.0	1.07	3.2	10.0	25.2	30	-29	10.9	-5	18	-	BONMAG 090751
			LMR 050272	20.05.14	42												

### Pregnant Cows


105 A	PAUL MARE BONSMARA STOET	LMR 150369	AG 100008	PW365	<b>82</b>	<b>106</b>	<b>84</b>	<b>101</b>	<b>98</b>	<b>111</b>	<b>102</b>	<b>103</b>	<b>108</b>	<b>88</b>	<b>92</b>	-	214	
					2.88	16.1	0.56	4.2	7.0	29.3	103	-54	15.7	-8	3	-	4.6	3 Maande dragtig LMR 16-124
			LMR 100239	11.10.15	42													-
105 B	PAUL MARE BONSMARA STOET	LMR 150375	AG 100008	PW365	<b>85</b>	<b>133</b>	<b>125</b>	<b>91</b>	<b>124</b>	<b>130</b>	<b>118</b>	<b>111</b>	<b>118</b>	<b>107</b>	<b>112</b>	-	170	
					2.65	28.4	-1.35	1.3	36.0	42.6	177	-71	23.7	7	31	-	4.5	2 Maande dragtig van LMR 14-216
			LMR 090355	24.10.15	37													44
106 A	PAUL MARE BONSMARA STOET	LMR 150089	LMR 090334	PW540	<b>88</b>	<b>102</b>	<b>102</b>	<b>89</b>	<b>87</b>	<b>97</b>	<b>96</b>	<b>98</b>	<b>94</b>	<b>90</b>	<b>93</b>	-	135	
					2.26	14.1	-0.28	0.8	-5.0	19.9	78	-43	5.0	-6	4	-	5	2 Maande dragtig van LMR 14-216
			LMR 100083	22.04.15	40													38
106 B	PAUL MARE BONSMARA STOET	LMR 150151	AG 100008	PW365	<b>91</b>	<b>115</b>	<b>109</b>	<b>86</b>	<b>105</b>	<b>113</b>	<b>99</b>	<b>104</b>	<b>100</b>	<b>93</b>	<b>103</b>	-	181	
					1.97	19.9	-0.63	-0.1	15.0	30.7	91	-55	9.9	-4	18	-	4.6	2 Maande dragtig van LMR 16-124
			LMR 070111	16.09.15	36													36.4

1.02	13.3	-0.19	3.8	10	21.7	95	-46	9.6	2	14
------	------	-------	-----	----	------	----	-----	-----	---	----


**Lot 104B**

<p><b>LMR 140337</b>                  SPN Mat. 123                  AFC 35                  ICP 408                  RI 99                  Age/Calv. 5/3                  Avg. WI/Calf 97/2</p>	<p><b>BPJ 080022</b>                  SPN Mat. 94</p> 	<p><b>RCO 990248</b>                  AFC 34                  ICP 475                  RI 92                  SPN Mat. 153                  Age/Calv. 18/13                  Avg. WI/Calf 108/13</p>	<p><b>FCT 000065</b>                  SPN Mat. 83</p>	<p><b>LA 980057</b>                  AFC 38                  ICP 409                  SPN Mat. 95                  Age/Calv. 12/9                  Avg. WI/Calf 102/8</p>	<p><b>RCO 930139</b>                  SPN Mat. 130</p>	<p><b>RCO 920247</b>                  AFC 35                  ICP 369                  SPN Mat. 102                  Age/Calv. 11/9                  Avg. WI/Calf 100/9</p>	<p><b>BG 950063</b>                  SPN Mat. 91  <b>FCT 960053</b>                  SPN Mat. 107  <b>LA 900195</b>                  SPN Mat. 101  <b>GV 950007</b>                  SPN Mat. 90  <b>RCO 910097</b>                  SPN Mat. 113  <b>RCO J 0094</b>                  SPN Mat. 107  <b>RCO H 0086</b>                  SPN Mat. 89  <b>RCO K 0117</b>                  SPN Mat. 85</p>


**Lot 104C**

<p><b>LMR 140143</b>                  SPN Mat. 98                  AFC 39                  ICP 443                  RI 89                  Age/Calv. 6/3                  Avg. WI/Calf 94/2</p>	<p><b>AEJ 090102</b>                  SPN Mat. 84</p> 	<p><b>LMR 050272</b>                  AFC 32                  ICP 456                  RI 98                  SPN Mat. 116                  Age/Calv. 9/6                  Avg. WI/Calf 104/6</p>	<p><b>AG 020251</b>                  SPN Mat. 120                  Gold</p>	<p><b>AEJ 030059</b>                  AFC 29                  ICP 366                  SPN Mat. 94                  Age/Calv. 9/8                  Avg. WI/Calf 104/6</p>	<p><b>LAR 020013</b>                  SPN Mat. 102</p>	<p><b>JBR 010031</b>                  AFC 31                  ICP 409                  SPN Mat. 111                  Age/Calv. 13/10                  Avg. WI/Calf 100/10</p>	<p><b>AG 980338</b>                  SPN Mat. 87  <b>AG 950206</b>                  SPN Mat. 127  <b>AEJ 990090</b>                  SPN Mat. 92  <b>AEJ 990145</b>                  SPN Mat. 59  <b>AG 970053</b>                  SPN Mat. 90  <b>LAR 940027</b>                  SPN Mat. 88  <b>FAN 960080</b>                  SPN Mat. 86  <b>FAN K 0017</b>                  SPN Mat. 126</p>


**Lot 105A** <sup>3</sup>Maande dragtig LMR 16-124

<p><b>LMR 150369</b>                  SPN Mat. 101                  AFC 35                  ICP 380                  RI 99                  Age/Calv. 4/2                  Avg. WI/Calf 117/2</p>	<p><b>AG 100008</b>                  SPN Mat. 88</p> 	<p><b>LMR 100239</b>                  AFC 35                  ICP 387                  RI 101                  SPN Mat. 86                  Age/Calv. 5/3                  Avg. WI/Calf 92/1</p>	<p><b>AG 060481</b>                  SPN Mat. 90</p>	<p><b>AG 970106</b>                  AFC 26                  ICP 392                  SPN Mat. 80                  Age/Calv. 15/13                  Avg. WI/Calf 95/12</p>	<p><b>AG 970108</b>                  AFC 26                  ICP 397                  SPN Mat. 65                  Age/Calv. 15/13                  Avg. WI/Calf 95/13</p>	<p><b>LAR 010176</b>                  SPN Mat. 84  <b>AG 970157</b>                  SPN Mat. 105  <b>AG J 0008</b>                  SPN Mat. 88  <b>AG 950012</b>                  SPN Mat. 120</p>


**Lot 105B** <sup>2</sup>Maande dragtig van LMR 14-216

<p><b>LMR 150375</b>                  SPN Mat. 91                  AFC 35                  ICP 426                  RI 97                  Age/Calv. 4/2                  Avg. WI/Calf 112/2</p>	<p><b>AG 100008</b>                  SPN Mat. 88</p> 	<p><b>LMR 090355</b>                  AFC 36                  ICP 429                  RI 99                  SPN Mat. 84                  Age/Calv. 10/7                  Avg. WI/Calf 100/6</p>	<p><b>AG 060481</b>                  SPN Mat. 90</p>	<p><b>AG 970106</b>                  AFC 26                  ICP 392                  SPN Mat. 80                  Age/Calv. 15/13                  Avg. WI/Calf 95/12</p>	<p><b>LMR 050108</b>                  SPN Mat. 69                  Silver</p>	<p><b>LMR 050112</b>                  AFC 29                  ICP 406                  SPN Mat. 122                  Age/Calv. 9/7                  Avg. WI/Calf 110/7</p>	<p><b>LAR 010176</b>                  SPN Mat. 84  <b>AG 970157</b>                  SPN Mat. 105  <b>AG J 0008</b>                  SPN Mat. 88  <b>AG 950012</b>                  SPN Mat. 120  <b>AG 970223</b>                  SPN Mat. 93  <b>LMR 980065</b>                  SPN Mat. 84  <b>AG 990017</b>                  SPN Mat. 99  <b>MCH 980012</b>                  SPN Mat. 117</p>

**Lot 106A** <sup>2</sup>Maande dragtig van LMR 14-216

<p><b>LMR 150089</b>                  SPN Mat. 89                  AFC 29                  ICP 406                  RI 109                  Age/Calv. 5/3                  Avg. WI/Calf 92/1</p>	<p><b>LMR 090334</b>                  SPN Mat. 91</p> 	<p><b>LMR 100083</b>                  AFC 34                  ICP 381                  RI 107                  SPN Mat. 92                  Age/Calv. 7/5                  Avg. WI/Calf 100/3</p>	<p><b>NFS 040124</b>                  SPN Mat. 104                  Silver</p>	<p><b>LMR 030249</b>                  AFC 35                  ICP 365                  SPN Mat. 94                  Age/Calv. 7/5                  Avg. WI/Calf 100/4</p>	<p><b>AG 030256</b>                  SPN Mat. 86</p>	<p><b>LMR 020126</b>                  AFC 30                  ICP 395                  SPN Mat. 87                  Age/Calv. 10/8                  Avg. WI/Calf 96/7</p>	<p><b>RCO 980053</b>                  SPN Mat. 83  <b>NFS 960193</b>                  SPN Mat. 129  <b>AG 990166</b>                  SPN Mat. 80  <b>LMR 010206</b>                  SPN Mat. 111  <b>AG 980338</b>                  SPN Mat. 87  <b>AG 930063</b>                  SPN Mat. 100  <b>AG 980159</b>                  SPN Mat. 74  <b>LMR 940083</b>                  SPN Mat. 104</p>

**Lot 106B** <sup>2</sup>Maande dragtig van LMR 16-124

<p><b>LMR 150151</b>                  SPN Mat. 86                  AFC 36                  ICP 411                  RI 95                  Age/Calv. 4/2                  Avg. WI/Calf 105/1</p>	<p><b>AG 100008</b>                  SPN Mat. 88</p> 	<p><b>LMR 070111</b>                  AFC 34                  ICP 457                  RI 95                  SPN Mat. 83                  Age/Calv. 13/9                  Avg. WI/Calf 96/5</p>	<p><b>AG 060481</b>                  SPN Mat. 90</p>	<p><b>AG 970106</b>                  AFC 26                  ICP 392                  SPN Mat. 80                  Age/Calv. 15/13                  Avg. WI/Calf 95/12</p>	<p><b>AG 030418</b>                  SPN Mat. 92</p>	<p><b>LMR 020059</b>                  AFC 35                  ICP 392                  SPN Mat. 93                  Age/Calv. 9/7                  Avg. WI/Calf 103/5</p>	<p><b>LAR 010176</b>                  SPN Mat. 84  <b>AG 970157</b>                  SPN Mat. 105  <b>AG J 0008</b>                  SPN Mat. 88  <b>AG 950012</b>                  SPN Mat. 120  <b>AG 980338</b>                  SPN Mat. 87  <b>AG 950206</b>                  SPN Mat. 127  <b>AG 970223</b>                  SPN Mat. 93  <b>LMR 980024</b>                  SPN Mat. 90</p>

## VROULIKE DIERE

Lot	Verkoper	ID	OUERS	Toets	Teelwaarde indekse											Dae Oop	Gebruiker Eie Opmerkings
					DIREKTE KALF EIENSKAPPE		DOGTER EIENSKAPPE			GROEI		DOEL	REP	MATES			
		POENA	VADER GV OV	Genomies Getoets	Geb Dir	Speen Dir	Geb Mat	Speen Mat	Volwas- se Gewig	Naspeen- gewig	GDT	VOV	SO	Hgt	Lgt	LHV	Kalwers
		Gen	MOEDER GV OV	DNS	Akk	Akk	Akk	Akk	Akk	Akk	Akk	Akk	Akk	Akk	Akk	GGV	
				Geb. dat.	Gew kg	Gew kg Ind	kg	kg	kg	365d Ind	540d Ind	Ind	Ind	(mm)	(mm)	(mm)	

### Dragtige Koeie

107 A	PAUL MARE BONSMARA STOET	LMR 150183 SP	PAD 100014	NS365	<b>110</b>	<b>96</b>	<b>141</b>	<b>79</b>	<b>117</b>	<b>100</b>	<b>106</b>	<b>103</b>	<b>96</b>	<b>105</b>	<b>104</b>	-	159	3 Maande dragtig van ABM 16-106
			LMR 080069		-0.07	11.6	-2.09	-1.9	28.0	21.4	121	-53	6.5	6	19	-	4.6	
			10.09.15	33												35.8	2	
107 B	PAUL MARE BONSMARA STOET	LMR 150197 SP	LMR 110148	NS365	<b>79</b>	<b>109</b>	<b>120</b>	<b>104</b>	<b>106</b>	<b>101</b>	<b>100</b>	<b>106</b>	<b>99</b>	<b>100</b>	<b>99</b>	-	181	2 Maande dragtig van LMR 16-124
			LMR 100195		3.29	17.5	-1.12	5.0	16.0	22.4	94	-59	8.9	2	13	-	4.6	
			16.09.15	40												44.5	2	

### Koeie met Kalwers

108 A	PAUL MARE BONSMARA STOET	LMR 150123 SP	AG 100008	NS540	<b>89</b>	<b>119</b>	<b>107</b>	<b>110</b>	<b>115</b>	<b>124</b>	<b>115</b>	<b>110</b>	<b>116</b>	<b>106</b>	<b>114</b>	-	BONFLMR 200121	
			LMR 110099		2.20	21.7	-0.50	6.7	26.0	38.3	165	-67	22.3	6	34	-	06.04.20 (42)	
			26.05.15	34												BONMLAR 140173		
108 B	PAUL MARE BONSMARA STOET	LMR 150207 SP	LMR 100022	NS540	<b>90</b>	<b>93</b>	<b>84</b>	<b>112</b>	<b>100</b>	<b>98</b>	<b>107</b>	<b>99</b>	<b>94</b>	<b>99</b>	<b>107</b>	-	BONFLMR 200061	
			LMR 120013		2.10	10.0	0.56	7.2	9.0	20.3	128	-43	5.2	1	24	-	21.03.20 (43)	
			25.03.15	36												BONMLAR 140173		

### Dragtige Koeie


108 C	PAUL MARE BONSMARA STOET	LMR 150221 SP	JJ 100153	NS540	<b>105</b>	<b>86</b>	<b>105</b>	<b>117</b>	<b>87</b>	<b>95</b>	<b>107</b>	<b>97</b>	<b>105</b>	<b>101</b>	<b>107</b>	-	437	8 Maande dragtig van LMR 17-022
			LMR 120155		0.51	7.1	-0.43	8.6	-5.0	18.0	129	-41	13.9	2	24	-	5	
			06.05.15	35												-	2	

### Koeie met Kalwers


109 A	PAUL MARE BONSMARA STOET	LMR 150073 SP	AEJ 090102	NS540	<b>117</b>	<b>97</b>	<b>134</b>	<b>83</b>	<b>98</b>	<b>94</b>	<b>91</b>	<b>93</b>	<b>94</b>	<b>81</b>	<b>100</b>	-	BONFLMR 200095	
			LMR 080219		-0.84	11.9	-1.73	-0.8	7.0	17.5	56	-32	5.1	-14	13	-	29.03.20 (40)	
			09.04.15	35												BONMLMR 160124		




**Lot 107A** <sup>3</sup>Maande dragtig van ABM 16-106

<p><b>LMR 150183</b> SPN Mat. 79 OEK 38 TKP 382 RI 93 Oud/Kalw. 4/2 Gem. Si/Kalf 99/1</p>	<p><b>PAD 100014</b> SPN Mat. 95</p> 	<p><b>CSW 010014</b> SPN Mat. 94</p> <p><b>CEF 980117</b> OEK 32 SPN Mat. 106 TKP 400 Oud/Kalw. 17/14 Gem. Si/Kalf 106/13</p> <p><b>LAR 030357</b> SPN Mat. 66</p> <p><b>LMR 080069</b> OEK 36 SPN Mat. 70 TKP 394 Oud/Kalw. 12/9 RI 106 Gem. Si/Kalf 88/7</p> <p><b>LMR 000074</b> OEK 35 SPN Mat. 121 TKP 367 Oud/Kalw. 9/7 Gem. Si/Kalf 105/7</p>
		<p><b>BG 960125</b> SPN Mat. 100</p> <p><b>CSW 980048</b> SPN Mat. 112</p> <p><b>CEF 950315</b> SPN Mat. 82</p> <p><b>CEF 950131</b> SPN Mat. 112</p> <p><b>LAR 010110</b> SPN Mat. 67</p> <p><b>LAR 990342</b> SPN Mat. 84</p> <p><b>JHO 940077</b> SPN Mat. 104</p> <p><b>LMR 940019</b> SPN Mat. 112</p>


**Lot 107B** <sup>2</sup>Maande dragtig van LMR 16-124

<p><b>LMR 150197</b> SPN Mat. 104 OEK 36 TKP 403 RI 95 Oud/Kalw. 4/2 Gem. Si/Kalf 100/2</p>	<p><b>LMR 110148</b> SPN Mat. 96</p> 	<p><b>LMR 060078</b> SPN Mat. 98 Brons</p> <p><b>LMR 060387</b> OEK 34 SPN Mat. 98 TKP 630 Oud/Kalw. 5/2 Gem. Si/Kalf 106/2</p> <p><b>AG 030256</b> SPN Mat. 86</p> <p><b>LMR 100195</b> OEK 36 SPN Mat. 108 TKP 454 Oud/Kalw. 9/6 RI 94 Gem. Si/Kalf 100/5</p> <p><b>LMR 000062</b> OEK 36 SPN Mat. 117 TKP 394 Oud/Kalw. 13/10 Gem. Si/Kalf 103/10</p>
		<p><b>AG 020193</b> SPN Mat. 110</p> <p><b>LMR 980009</b> SPN Mat. 101</p> <p><b>AG 020193</b> SPN Mat. 110</p> <p><b>LMR 020365</b> SPN Mat. 89</p> <p><b>AG 980338</b> SPN Mat. 87</p> <p><b>AG 930063</b> SPN Mat. 100</p> <p><b>JHO 940077</b> SPN Mat. 104</p> <p><b>LMR 920096</b> SPN Mat. 102</p>


**Lot 108A**

<p><b>LMR 150123</b> SPN Mat. 110 OEK 29 TKP 451 RI 105 Oud/Kalw. 5/3 Gem. Si/Kalf 108/2</p>	<p><b>AG 100008</b> SPN Mat. 88</p> 	<p><b>AG 060481</b> SPN Mat. 90</p> <p><b>AG 970106</b> OEK 26 SPN Mat. 80 TKP 392 Oud/Kalw. 15/13 Gem. Si/Kalf 95/12</p> <p><b>LAR 070090</b> SPN Mat. 124</p> <p>Elite-Brons</p> <p><b>LMR 050008</b> OEK 35 SPN Mat. 112 TKP 394 Oud/Kalw. 12/9 Gem. Si/Kalf 99/9</p>
		<p><b>LAR 010176</b> SPN Mat. 84</p> <p><b>AG 970157</b> SPN Mat. 105</p> <p><b>AG J 0008</b> SPN Mat. 88</p> <p><b>AG 950012</b> SPN Mat. 120</p> <p><b>BG 040088</b> SPN Mat. 112</p> <p><b>LAR 040288</b> SPN Mat. 106</p> <p><b>LAR 990144</b> SPN Mat. 113</p> <p><b>LMR 010275</b> SPN Mat. 120</p>


**Lot 108B**

<p><b>LMR 150207</b> SPN Mat. 112 OEK 31 TKP 440 RI 103 Oud/Kalw. 5/3 Gem. Si/Kalf 103/2</p>	<p><b>LMR 100022</b> SPN Mat. 78</p> 	<p><b>AG 030256</b> SPN Mat. 86</p> <p><b>LMR 020187</b> OEK 31 SPN Mat. 95 TKP 371 Oud/Kalw. 12/10 Gem. Si/Kalf 97/9</p> <p><b>AG 050263</b> SPN Mat. 116</p> <p><b>LMR 040012</b> OEK 31 SPN Mat. 134 TKP 391 Oud/Kalw. 10/8 Gem. Si/Kalf 108/7</p>
		<p><b>AG 980338</b> SPN Mat. 87</p> <p><b>AG 930063</b> SPN Mat. 100</p> <p><b>HDE 980132</b> SPN Mat. 75</p> <p><b>LMR 980145</b> SPN Mat. 118</p> <p><b>AG 030256</b> SPN Mat. 86</p> <p><b>AG 950255</b> SPN Mat. 130</p> <p><b>AG 990017</b> SPN Mat. 99</p> <p><b>LMR 970154</b> SPN Mat. 128</p>

**Lot 108C** <sup>6</sup>Maande dragtig van LMR 17-022

<p><b>LMR 150221</b> SPN Mat. 117 OEK 35 TKP 328 RI 104 Oud/Kalw. 4/2 Gem. Si/Kalf 112/1</p>	<p><b>JJ 100153</b> SPN Mat. 115</p> 	<p><b>LEL 060104</b> SPN Mat. 104</p> <p><b>JJ 070069</b> OEK 28 SPN Mat. 103 TKP 394 Oud/Kalw. 11/9 Gem. Si/Kalf 94/9</p> <p><b>LMR 080188</b> SPN Mat. 95</p> <p><b>LMR 070093</b> OEK 35 SPN Mat. 94 TKP 366 Oud/Kalw. 12/10 Gem. Si/Kalf 95/10</p>
		<p><b>BG 000110</b> SPN Mat. 105</p> <p><b>LEL 940116</b> SPN Mat. 81</p> <p><b>JJ 040101</b> SPN Mat. 106</p> <p><b>JJ 040084</b> SPN Mat. 97</p> <p><b>LAR 030052</b> SPN Mat. 93</p> <p><b>LMR 030288</b> SPN Mat. 86</p> <p><b>AG 990166</b> SPN Mat. 80</p> <p><b>LMR 020195</b> SPN Mat. 107</p>

**Lot 109A**

<p><b>LMR 150073</b> SPN Mat. 83 OEK 35 TKP 381 RI 103 Oud/Kalw. 5/3 Gem. Si/Kalf 90/1</p>	<p><b>AEJ 090102</b> SPN Mat. 84</p> 	<p><b>AG 020251</b> SPN Mat. 120 Goud</p> <p><b>AEJ 030059</b> OEK 29 SPN Mat. 94 TKP 366 Oud/Kalw. 9/8 Gem. Si/Kalf 104/6</p> <p><b>AG 020135</b> SPN Mat. 122</p> <p><b>LMR 050236</b> OEK 33 SPN Mat. 116 TKP 376 Oud/Kalw. 7/5 Gem. Si/Kalf 105/5</p>
		<p><b>AG 980338</b> SPN Mat. 87</p> <p><b>AG 950206</b> SPN Mat. 127</p> <p><b>AEJ 990090</b> SPN Mat. 92</p> <p><b>AEJ 990145</b> SPN Mat. 59</p> <p><b>RCO 990110</b> SPN Mat. 116</p> <p><b>AG 950146</b> SPN Mat. 117</p> <p><b>AG 990166</b> SPN Mat. 80</p> <p><b>PMB 020075</b> SPN Mat. 141</p>

## FEMALE ANIMALS

Lot	Seller	ID	PARENTS	Test	Breeding Value Indexes											R:	Calf ID	Breeder Own Remarks					
					DIRECT CALF TRAITS		DAUGHTER TRAITS			GROWTH		EFF.	REP	MEASURE-MENTS									
		POLLED		Gen		SIRE	PV	Genomic Tested	Birth Dir	Wean Dir	Birth Mat	Wean Mat	Mat Wgt	Post Wean	ADG	FCR	SC	Hgt	Lgt	LHR	Birth Date (Weight)		
						DAM	PV	DNA	Acc	Acc	Acc	Acc	Acc	Acc	Acc	Acc	Acc	Acc	Acc	BWR	Sire		
						GV	PV	Birth Date	Wgt kg	Wgt kg	Ind	kg	kg	kg	365dM	540dInd	Ind	Ind	(mm)	(mm)	(mm)	WWR	GT / POLLED



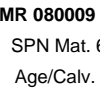

### Cows with Calves

109 B	PAUL MARE BONSMARA STOET	LMR 150115	WAT 050078 PH	PW540	<b>122</b>	<b>94</b>	<b>108</b>	<b>71</b>	<b>111</b>	<b>99</b>	<b>103</b>	<b>98</b>	<b>110</b>	<b>101</b>	<b>100</b>	-	BONFLMR 200045	
		SP	LMR 080009		-1.33	10.6	-0.56	-4.1	22.0	21.0	108	-42	17.3	2	13	-	11.03.20 (35)	
				11.05.15	80	77	70	74	53	70	61	48	65	65	64	-	BONMLMR 160050	
					27											-		
109 C	PAUL MARE BONSMARA STOET	LMR 150117	AG 080158	PW540	<b>103</b>	<b>91</b>	<b>90</b>	<b>107</b>	<b>100</b>	<b>97</b>	<b>86</b>	<b>93</b>	<b>106</b>	<b>85</b>	<b>95</b>	-	BONFLMR 200107	
		SP	LMR 050312		0.67	9.4	0.26	5.7	9.0	19.6	32	-32	14.0	-10	7	-	30.03.20 (31)	
				11.05.15	81	76	68	67	40	68	60	31	64	65	63	-	BONMAG 090751	
					34											-		
110 A	PAUL MARE BONSMARA STOET	LMR 140305	AG 100008	PW540	<b>102</b>	<b>116</b>	<b>105</b>	<b>76</b>	<b>110</b>	<b>121</b>	<b>113</b>	<b>106</b>	<b>104</b>	<b>99</b>	<b>110</b>	-	BONFLMR 200153	
		SP	LMR 090321		0.81	20.4	-0.44	-2.8	20.0	36.6	155	-60	12.9	1	27	-	20.04.20 (37)	
				16.09.14	80	76	69	71	36	72	61	36	65	65	64	-	BONMLMR 160090	
					35											-		
110 B	PAUL MARE BONSMARA STOET	LMR 140317	LMR 070316	PW540	<b>102</b>	<b>103</b>	<b>114</b>	<b>104</b>	<b>105</b>	<b>99</b>	<b>94</b>	<b>100</b>	<b>112</b>	<b>85</b>	<b>91</b>	-	BONFLMR 200099	
		SP	LMR 100273		0.77	14.5	-0.83	4.8	15.0	21.2	70	-46	19.5	-10	1	-	29.03.20 (32)	
				22.09.14	82	78	70	75	42	70	59	30	63	64	62	-	BONMWBB 150295	
					35											-		



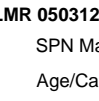

### Pregnant Cows

110 C	PAUL MARE BONSMARA STOET	LMR 140339	LMR 070316	PW540	<b>112</b>	<b>87</b>	<b>123</b>	<b>85</b>	<b>94</b>	<b>81</b>	<b>86</b>	<b>98</b>	<b>82</b>	<b>79</b>	<b>83</b>	-	230	
		SP	LMR 100369		-0.25	7.5	-1.25	-0.3	3.0	8.2	30	-43	-4.7	-15	-11	-	5.6	8 Maande dragtig van WBB 15-295
				27.09.14	81	76	70	72	45	69	62	36	67	67	66	-		
					33											42.1	3	
111 A	PAUL MARE BONSMARA STOET	LMR 140099	HJS 070400	PW540	<b>73</b>	<b>130</b>	<b>90</b>	<b>99</b>	<b>115</b>	<b>127</b>	<b>131</b>	<b>118</b>	<b>101</b>	<b>120</b>	<b>124</b>	-	378	
		SP	LMR 060040		3.87	26.6	0.26	3.5	26.0	40.2	235	-86	10.7	17	48	-	6.1	8 Maande dragtig van LMR 16-388
				08.04.14	81	77	71	75	45	71	55	39	58	58	57	-		
					40											43.4	3	



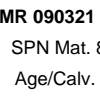

**Lot 109B**

<p><b>LMR 150115</b>                  SPN Mat. 71                  AFC 29                  ICP 442                  RI 106                  Age/Calv. 5/3                  Avg. WI/Calf 96/2</p>		<p><b>WAT 050078</b>                  SPN Mat. 86</p>		<p><b>WAT 000200</b>                  SPN Mat. 113</p>	<p><b>BG 960125</b>                  SPN Mat. 100  <b>WAT 960277</b>                  SPN Mat. 106  <b>WAT 970101</b>                  SPN Mat. 108  <b>WAT 970271</b>                  SPN Mat. 88  <b>LAR 010110</b>                  SPN Mat. 67  <b>LAR 990342</b>                  SPN Mat. 84  <b>JHO 940077</b>                  SPN Mat. 104  <b>LMR 960004</b>                  SPN Mat. 109</p>
<p><b>LMR 080009</b>                  SPN Mat. 69                  Age/Calv. 11/9                  Avg. WI/Calf 95/8</p>		<p><b>WAT 020330</b>                  SPN Mat. 66</p>		<p><b>LAR 030357</b>                  SPN Mat. 66</p>	<p><b>LMR 980187</b>                  SPN Mat. 106                  Age/Calv. 11/8                  Avg. WI/Calf 104/7</p>



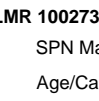

**Lot 109C**

<p><b>LMR 150117</b>                  SPN Mat. 107                  AFC 29                  ICP 450                  RI 105                  Age/Calv. 5/3                  Avg. WI/Calf 90/1</p>		<p><b>AG 080158</b>                  SPN Mat. 115</p>		<p><b>EI 940339</b>                  SPN Mat. 117</p>	<p><b>EI 920079</b>                  SPN Mat. 129  <b>EI 920048</b>                  SPN Mat. 105  <b>LAR 010176</b>                  SPN Mat. 84  <b>AG 020194</b>                  SPN Mat. 75  <b>T 970060</b>                  SPN Mat. 94  <b>T 980089</b>                  SPN Mat. 108  <b>TLB J 0030</b>                  SPN Mat. 103  <b>LMR 910078</b>                  SPN Mat. 102</p>
<p><b>LMR 050312</b>                  SPN Mat. 101                  Age/Calv. 13/11                  Avg. WI/Calf 99/9</p>		<p><b>AG 060016</b>                  SPN Mat. 107</p>		<p><b>AG 020085</b>                  SPN Mat. 100                  Age/Calv. 13/10                  Avg. WI/Calf 98/9</p>	<p><b>LMR 950084</b>                  SPN Mat. 100                  Age/Calv. 13/10                  Avg. WI/Calf 98/9</p>



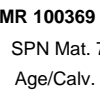

**Lot 110A**

<p><b>LMR 140305</b>                  SPN Mat. 76                  AFC 32                  ICP 534                  RI 91                  Age/Calv. 6/3                  Avg. WI/Calf 91/2</p>		<p><b>AG 100008</b>                  SPN Mat. 88</p>		<p><b>AG 060481</b>                  SPN Mat. 90</p>	<p><b>LAR 010176</b>                  SPN Mat. 84  <b>AG 970157</b>                  SPN Mat. 105  <b>AG J 0008</b>                  SPN Mat. 88  <b>AG 950012</b>                  SPN Mat. 120  <b>LAR 010297</b>                  SPN Mat. 71  <b>LAR 950050</b>                  SPN Mat. 153  <b>AG 980033</b>                  SPN Mat. 67  <b>NFS 960153</b>                  SPN Mat. 80</p>
<p><b>LMR 090321</b>                  SPN Mat. 82                  Age/Calv. 9/7                  Avg. WI/Calf 97/5</p>		<p><b>AG 970106</b>                  SPN Mat. 91</p>		<p><b>LAR 050179</b>                  SPN Mat. 91</p>	<p><b>LMR 020143</b>                  SPN Mat. 81                  Age/Calv. 14/11                  Avg. WI/Calf 102/10</p>



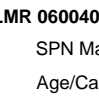

**Lot 110B**

<p><b>LMR 140317</b>                  SPN Mat. 104                  AFC 32                  ICP 351                  RI 113                  Age/Calv. 6/4                  Avg. WI/Calf 103/3</p>		<p><b>LMR 070316</b>                  SPN Mat. 116</p>		<p><b>AG 020193</b>                  SPN Mat. 110</p>	<p><b>AG 980338</b>                  SPN Mat. 87  <b>AG 950001</b>                  SPN Mat. 118  <b>AG 990017</b>                  SPN Mat. 99  <b>LMR 960046</b>                  SPN Mat. 122  <b>AEJ 010189</b>                  SPN Mat. 62  <b>AG 990119</b>                  SPN Mat. 85  <b>LAR 040044</b>                  SPN Mat. 86  <b>LAR 030238</b>                  SPN Mat. 132</p>
<p><b>LMR 100273</b>                  SPN Mat. 92                  Age/Calv. 9/7                  Avg. WI/Calf 100/6</p>		<p><b>AG 050439</b>                  SPN Mat. 77</p>		<p><b>LAR 070348</b>                  SPN Mat. 104                  Age/Calv. 5/3                  Avg. WI/Calf 103/3</p>	<p><b>LMR 030010</b>                  SPN Mat. 121                  Age/Calv. 13/10                  Avg. WI/Calf 104/9</p>

**Lot 110C** <sup>8</sup> Maande dragtig van WBB 15-295

<p><b>LMR 140339</b>                  SPN Mat. 85                  AFC 31                  ICP 433                  RI 103                  Age/Calv. 5/3                  Avg. WI/Calf 97/3</p>		<p><b>LMR 070316</b>                  SPN Mat. 116</p>		<p><b>AG 020193</b>                  SPN Mat. 110</p>	<p><b>AG 980338</b>                  SPN Mat. 87  <b>AG 950001</b>                  SPN Mat. 118  <b>AG 990017</b>                  SPN Mat. 99  <b>LMR 960046</b>                  SPN Mat. 122  <b>VV 940061</b>                  SPN Mat. 111  <b>PER 950026</b>                  SPN Mat. 92  <b>LAR 990144</b>                  SPN Mat. 113  <b>LAR 940224</b>                  SPN Mat. 79</p>
<p><b>LMR 100369</b>                  SPN Mat. 79                  Age/Calv. 9/7                  Avg. WI/Calf 99/6</p>		<p><b>LMR 030010</b>                  SPN Mat. 97                  Gold</p>		<p><b>PER 000077</b>                  SPN Mat. 97                  Gold</p>	<p><b>LAR 020301</b>                  SPN Mat. 82                  Age/Calv. 11/8                  Avg. WI/Calf 97/7</p>

**Lot 111A** <sup>8</sup> Maande dragtig van LMR 16-388

<p><b>LMR 140099</b>                  SPN Mat. 99                  AFC 36                  ICP 364                  RI 102                  Age/Calv. 5/3                  Avg. WI/Calf 100/3</p>		<p><b>HJS 070400</b>                  SPN Mat. 109</p>		<p><b>RCO 980037</b>                  SPN Mat. 67</p>	<p><b>TBR 910704</b>                  SPN Mat. 77  <b>RCO 950238</b>                  SPN Mat. 66  <b>HJS 920041</b>                  SPN Mat. 90  <b>HJS 920159</b>                  SPN Mat. 105  <b>VV 960318</b>                  SPN Mat. 76  <b>LAR 950169</b>                  SPN Mat. 88  <b>NFS K 0088</b>                  SPN Mat. 77  <b>MMJ J 0040</b>                  SPN Mat. 107</p>
<p><b>LMR 060040</b>                  SPN Mat. 96                  Age/Calv. 8/6                  Avg. WI/Calf 101/6</p>		<p><b>HJS 000153</b>                  SPN Mat. 59</p>		<p><b>LAR 990350</b>                  SPN Mat. 59</p>	<p><b>LMR 940076</b>                  SPN Mat. 118                  Age/Calv. 12/10                  Avg. WI/Calf 114/9</p>

## VROULIKE DIERE

Lot	Verkoper	ID POENA Gen	OUERS VADER GV OV MOEDER GV OV	Toets Genomies Getoets DNS Geb. dat.	DIREKTE KALF EIENSKAPPE		DOGTER EIENSKAPPE			GROEI		DOEL	REP	MATES			V:	KALF AAN HOEF	Kalf ID	Gebruiker Eie Opmerkings
					Nageslag Geboorte- gewig	Nageslag Speengewig	Gemak van Kalwing	Melk prod.	Volwas- se Gewig	Naspeen- gewig	Daaglikse Toename			Voer- omset	Hoogte & Lengte					
Teelwaarde indekse																				
Geb Dir	Speen Dir	Geb Mat	Speen Mat	Volw Gew	Naspeen	GDT	VOV	SO	Hgt	Lgt	LHV	Geboorte dat (Gewig)								
	Akk	Akk	Akk	Akk	Akk	Akk	Akk	Akk	Akk	Akk	Akk	Akk	Akk	Akk	Akk	Akk	GGV	Vaar		
	Gew kg	Gew kg	Ind	kg	kg	kg	365dM	540d Ind	Ind	Ind	(mm)	(mm)	(mm)	GT / POLLED						

### Koeie met Kalwers

111 B	PAUL MARE BONSMARA STOET	LMR 140107 SP	HJS 070400	NS540	<b>81</b>	<b>109</b>	<b>109</b>	<b>103</b>	<b>93</b>	<b>109</b>	<b>111</b>	<b>107</b>	<b>95</b>	<b>101</b>	<b>106</b>	-	BONFLMR 200079	
					3.07	17.4	-0.60	4.6	2.0	28.0	145	-61	5.4	2	23	-	BONFLMR 200079	
			PAD 090186	13.04.14	81	78	70	75	45	70	53	36	56	56	55	-	BONMLMR 160090	
111 C	PAUL MARE BONSMARA STOET	LMR 140271 SP	LMR 100022	NS540	<b>107</b>	<b>94</b>	<b>119</b>	<b>86</b>	<b>97</b>	<b>94</b>	<b>101</b>	<b>100</b>	<b>93</b>	<b>95</b>	<b>102</b>	-	BONFLMR 200129	
					0.23	10.5	-1.08	-0.1	6.0	17.4	102	-46	3.9	-3	17	-	BONFLMR 200129	
			LMR 110199	18.08.14	81	77	69	74	41	70	59	30	63	64	62	-	BONMLMR 160124	

### Dragtige Koeie

112 A	PAUL MARE BONSMARA STOET	LMR 130259 SP	AG 070124	NS540	<b>95</b>	<b>88</b>	<b>91</b>	<b>109</b>	<b>76</b>	<b>87</b>	<b>93</b>	<b>97</b>	<b>95</b>	<b>86</b>	<b>95</b>	-	595	
					1.58	7.8	0.21	6.3	-16.0	12.4	64	-40	5.8	-10	6	-	6.9	
			LMR 100125	27.05.13	80	74	68	68	44	68	58	30	63	64	62	-	3	7 Maande dragtig van WBB 15-295
112 B	PAUL MARE BONSMARA STOET	LMR 130357 SP	LMR 060078	NS540	<b>91</b>	<b>98</b>	<b>116</b>	<b>92</b>	<b>95</b>	<b>86</b>	<b>98</b>	<b>102</b>	<b>92</b>	<b>94</b>	<b>103</b>	-	495	
					1.98	12.6	-0.93	1.7	5.0	11.8	88	-50	3.2	-3	18	-	6.5	
			LMR 090255	23.10.13	80	74	69	70	38	69	61	39	66	67	65	-	3	8 Maande dragtig van LMR 16-050


### Koeie met Kalwers

113 A	PAUL MARE BONSMARA STOET	LMR 110393 B	LAR 070090	NS540	<b>98</b>	<b>113</b>	<b>134</b>	<b>109</b>	<b>90</b>	<b>99</b>	<b>100</b>	<b>93</b>	<b>108</b>	<b>109</b>	<b>110</b>	-	BONFLMR 200005	
					1.23	19.2	-1.76	6.4	-1.0	21.1	95	-31	16.1	8	28	-	BONFLMR 200005	
			SER 050031	31.05.11	83	80	76	81	53	72	59	41	64	65	63	-	BONMAG 110224	
113 B	PAUL MARE BONSMARA STOET	LMR 110169 SP	LMR 090070	NS540	<b>76</b>	<b>98</b>	<b>106</b>	<b>113</b>	<b>111</b>	<b>106</b>	<b>100</b>	<b>98</b>	<b>103</b>	<b>116</b>	<b>104</b>	-	BONMLMR 200098	
					3.52	12.5	-0.48	7.4	22.0	26.0	97	-42	12.0	14	20	-	BONMLMR 200098	
			LMR 000062	14.09.11	83	78	76	78	34	72	58	35	63	64	62	-	BONMLAR 140173	

### Lot 111B

**LMR 140107**  
SPN Mat. 103  
OEK 37  
TKP 350  
RI 106  
Oud/Kalw. 6/4  
Gem. Sl/Kalf 99/3

**HJS 070400**  
SPN Mat. 109



**PAD 090186**

OEK 34 SPN Mat. 106  
TKP 553 Oud/Kalw. 6/3  
RI 86 Gem. Sl/Kalf 104/3

**TBR 910704**  
SPN Mat. 77  
**RCO 950238**  
SPN Mat. 66  
**HJS 920041**  
SPN Mat. 90  
**HJS 920159**  
SPN Mat. 105  
**BG 960125**  
SPN Mat. 100  
**CSW 980048**  
SPN Mat. 112  
**BHE 980087**  
SPN Mat. 74  
**LDW 920138**  
SPN Mat. 102

**RCO 980037**  
SPN Mat. 67

Elite-Goud  
**HJS 000153**  
OEK 39 SPN Mat. 110  
TKP 366 Oud/Kalw. 15/13  
Gem. Sl/Kalf 99/12


**CSW 010014**  
SPN Mat. 94

**BHE 030068**  
OEK 27 SPN Mat. 103  
TKP 415 Oud/Kalw. 14/11  
Gem. Sl/Kalf 103/11

### Lot 111C

**LMR 140271**  
SPN Mat. 86  
OEK 33  
TKP 356  
RI 111  
Oud/Kalw. 6/4  
Gem. Sl/Kalf 96/3

**LMR 100022**  
SPN Mat. 78



**LMR 110199**

OEK 35 SPN Mat. 106  
TKP 377 Oud/Kalw. 8/6  
RI 108 Gem. Sl/Kalf 98/5

**AG 980338**  
SPN Mat. 87  
**AG 930063**  
SPN Mat. 100  
**HDE 980132**  
SPN Mat. 75  
**LMR 980145**  
SPN Mat. 118  
**RCO 980037**  
SPN Mat. 67  
**HJS 000153**  
SPN Mat. 110  
**LMR 940078**  
SPN Mat. 107  
**LMR 980013**  
SPN Mat. 90

**AG 030256**  
SPN Mat. 86

Elite-Goud  
**LMR 020187**  
OEK 31 SPN Mat. 95  
TKP 371 Oud/Kalw. 12/10  
Gem. Sl/Kalf 97/9

**HJS 070400**  
SPN Mat. 109


**LMR 010270**  
OEK 30 SPN Mat. 102  
TKP 390 Oud/Kalw. 11/9  
Gem. Sl/Kalf 105/9

### Lot 112A

7 Maande dragtig van WBB 15-295

**LMR 130259**  
SPN Mat. 109  
OEK 39  
TKP 379  
RI 97  
Oud/Kalw. 5/3  
Gem. Sl/Kalf 97/2

**AG 070124**  
SPN Mat. 101



**LMR 100125**

OEK 38 SPN Mat. 115  
TKP 397 Oud/Kalw. 8/5  
RI 100 Gem. Sl/Kalf 112/2

**AG J 0008**  
SPN Mat. 88  
**RCO 970137**  
SPN Mat. 80  
**AG 950059**  
SPN Mat. 102  
**AG 960190**  
SPN Mat. 95  
**LAR 010176**  
SPN Mat. 84  
**AG 020175**  
SPN Mat. 61  
**AG 980159**  
SPN Mat. 74  
**LMR 000033**  
SPN Mat. 141

**RCO 000091**  
SPN Mat. 70

**AG 990163**  
OEK 35 SPN Mat. 102  
TKP 440 Oud/Kalw. 13/9  
Gem. Sl/Kalf 103/9

**WBB 060003**  
SPN Mat. 89  
Goud


**LMR 060306**  
OEK 29 SPN Mat. 115  
TKP 396 Oud/Kalw. 13/11  
Gem. Sl/Kalf 98/9

### Lot 112B

8 Maande dragtig van LMR 16-050

**LMR 130357**  
SPN Mat. 92  
OEK 36  
TKP 394  
RI 99  
Oud/Kalw. 5/3  
Gem. Sl/Kalf 94/2

**LMR 060078**  
SPN Mat. 98  
Brons



**LMR 090255**

OEK 36 SPN Mat. 119  
TKP 378 Oud/Kalw. 4/2  
RI 97 Gem. Sl/Kalf 111/2

**AG 980338**  
SPN Mat. 87  
**AG 950001**  
SPN Mat. 118  
**AG 920143**  
SPN Mat. 98  
**LMR 940058**  
SPN Mat. 99  
**LAR 020331**  
SPN Mat. 108  
**LAR 000334**  
SPN Mat. 82  
**AG 030418**  
SPN Mat. 92  
**LMR 000074**  
SPN Mat. 121

**AG 020193**  
SPN Mat. 110

**LMR 980009**  
OEK 37 SPN Mat. 101  
TKP 421 Oud/Kalw. 10/7  
Gem. Sl/Kalf 103/5


**LAR 040375**  
SPN Mat. 104

**LMR 070125**  
OEK 29 SPN Mat. 124  
TKP 380 Oud/Kalw. 6/4  
Gem. Sl/Kalf 121/3

### Lot 113A

**LMR 110393**  
SPN Mat. 109  
OEK 38  
TKP 398  
RI 101  
Oud/Kalw. 9/6  
Gem. Sl/Kalf 105/5

**LAR 070090**  
SPN Mat. 124



**SER 050031**

OEK 28 SPN Mat. 106  
TKP 455 Oud/Kalw. 6/4  
RI 104 Gem. Sl/Kalf 107/4

**BG 020058**  
SPN Mat. 115  
**BG 000021**  
SPN Mat. 100  
**LAR 020331**  
SPN Mat. 108  
**LAR 000032**  
SPN Mat. 108

**BG 040088**  
SPN Mat. 112


Elite-Goud  
**LAR 040288**  
OEK 33 SPN Mat. 106  
TKP 388 Oud/Kalw. 11/9  
Gem. Sl/Kalf 102/8

**SER 970047**  
OEK 30 SPN Mat. 94  
TKP 439 Oud/Kalw. 13/10  
Gem. Sl/Kalf 97/9

### Lot 113B

**LMR 110169**  
SPN Mat. 113  
OEK 35  
TKP 414  
RI 101  
Oud/Kalw. 9/6  
Gem. Sl/Kalf 104/4

**LMR 090070**  
SPN Mat. 100



**LMR 000062**

OEK 36 SPN Mat. 117  
TKP 394 Oud/Kalw. 13/10  
RI 106 Gem. Sl/Kalf 103/10

**AG 950204**  
SPN Mat. 43  
**LMR 960116**  
SPN Mat. 114  
**EI 980266**  
SPN Mat. 147  
**EI 960182**  
SPN Mat. 125  
**GB 910009**  
SPN Mat. 94  
**JHO 910014**  
SPN Mat. 105

**LMR 030096**  
SPN Mat. 48  
Goud

**EI 010108**  
OEK 37 SPN Mat. 127  
TKP 402 Oud/Kalw. 10/7  
Gem. Sl/Kalf 104/5

**JHO 940077**  
SPN Mat. 104

**LMR 920096**  
OEK 29 SPN Mat. 102  
TKP 365 Oud/Kalw. 9/8  
Gem. Sl/Kalf 100/8

## FEMALE ANIMALS


Lot	Seller	ID POLLED Gen	PARENTS		Test	Breeding Value Indexes											R:	MEASURE- MENTS Height & Length	Calf ID	Calf AT FOOT	Breeder Own Remarks
			SIRE GV PV	DAM GV PV		Genomic Tested	Birth Dir	Wean Dir	Birth Mat	Wean Mat	Mat Wgt	Post Wean	ADG	FCR	SC	Hgt					
DNA		Acc	Acc	Acc	Acc	Acc	Acc	Acc	Acc	Acc	Acc	Acc	Acc	Acc	Acc	Acc	BWR	Sire			
Birth Date	Wgt kg	Wgt kg	Ind	kg	kg	kg	365dM	540d Ind	Ind	Ind	Ind	(mm)	(mm)	(mm)	WWR	GT / POLLED					

### Cows with Calves


113 C	PAUL MARE BONSMARA STOET	TEW 110073 SP	LAR 060451	PW540	<b>77</b>	<b>110</b>	<b>68</b>	<b>131</b>	<b>114</b>	<b>121</b>	<b>125</b>	<b>110</b>	<b>112</b>	<b>119</b>	<b>125</b>	-	BONFLMR 200007
					3.46	17.9	1.27	12.5	24.0	36.5	210	-68	18.9	17	49	7.22	22.01.20 (40)
			TEW 030053	31.10.11	39												
114 A	PAUL MARE BONSMARA STOET	LMR 110203 SP	LAR 040375	PW540	<b>95</b>	<b>87</b>	<b>121</b>	<b>104</b>	<b>85</b>	<b>86</b>	<b>82</b>	<b>85</b>	<b>99</b>	<b>82</b>	<b>89</b>	-	BONMLMR 200076
					1.55	7.2	-1.16	4.8	-7.0	12.0	14	-15	9.1	-13	-2	-	27.03.20 (42)
			LMR 080025	19.03.11	35												50.2
114 B	PAUL MARE BONSMARA STOET	LMR 110387 SP	PER 040065	PW540	<b>102</b>	<b>94</b>	<b>86</b>	<b>72</b>	<b>75</b>	<b>99</b>	<b>105</b>	<b>108</b>	<b>100</b>	<b>97</b>	<b>92</b>	-	BONFLMR 200105
					0.80	10.7	0.47	-3.9	-17.0	21.1	118	-63	9.3	-1	2	-	30.03.20 (35)
			LMR 060149	06.05.11	33												-
114 C	PAUL MARE BONSMARA STOET	LMR 110239 SP	LMR 070297	PW540	<b>70</b>	<b>98</b>	<b>67</b>	<b>89</b>	<b>109</b>	<b>97</b>	<b>88</b>	<b>87</b>	<b>88</b>	<b>99</b>	<b>102</b>	-	BONMLMR 200090
					4.25	12.5	1.31	0.9	20.0	19.6	42	-19	-0.2	1	16	-	08.04.20 (43)
			LMR 080347	15.09.11	43												50
115 A	PAUL MARE BONSMARA STOET	LMR 100255 SP	WBB 060003	PW365	<b>96</b>	<b>96</b>	<b>100</b>	<b>110</b>	<b>83</b>	<b>98</b>	<b>106</b>	<b>102</b>	<b>96</b>	<b>96</b>	<b>98</b>	-	BONFLMR 200141
					1.49	11.4	-0.18	6.5	-9.0	20.6	123	-52	6.5	-2	10	-	08.04.20 (41)
			LMR 070017	16.09.10	37												-
115 B	PAUL MARE BONSMARA STOET	LMR 100267 SP	LAR 050179	PW365	<b>97</b>	<b>112</b>	<b>109</b>	<b>84</b>	<b>121</b>	<b>110</b>	<b>93</b>	<b>95</b>	<b>84</b>	<b>82</b>	<b>100</b>	-	BONFLMR 200069
					1.34	18.8	-0.60	-0.5	33.0	28.4	65	-35	-2.7	-13	13	-	25.03.20 (40)
			GID 010055	20.09.10	38												-

1.02	13.3	-0.19	3.8	10	21.7	95	-46	9.6	2	14
------	------	-------	-----	----	------	----	-----	-----	---	----


**Lot 113C**

<p><b>TEW 110073</b>                  SPN Mat. 131                  AFC 33                  ICP 399                  RI 105                  Age/Calv. 8/6                  Avg. WI/Calf 104/5</p>	<p><b>LAR 060451</b>                  SPN Mat. 102</p>  <p>Elite-Silver  <b>TEW 030053</b></p>	<p><b>LAR 030059</b>                  SPN Mat. 145</p> <p><b>LAR 990033</b>                  AFC 36 SPN Mat. 69                  ICP 407 Age/Calv. 11/8                  Avg. WI/Calf 100/8</p> <p><b>TEW 000037</b>                  SPN Mat. 85</p> <p><b>TEW 940042</b>                  AFC 35 SPN Mat. 138                  ICP 371 Age/Calv. 14/12                  Avg. WI/Calf 103/12</p>	<p><b>AG 980338</b>                  SPN Mat. 87  <b>LAR 000096</b>                  SPN Mat. 133  <b>VV 960318</b>                  SPN Mat. 76  <b>LAR 960271</b>                  SPN Mat. 69  <b>V 970181</b>                  SPN Mat. 78  <b>TEW 970065</b>                  SPN Mat. 120  <b>HOT 900259</b>                  SPN Mat. 104  <b>TEW K 0021</b>                  SPN Mat. 100</p>
--	---	---	---


**Lot 114A**

<p><b>LMR 110203</b>                  SPN Mat. 104                  AFC 37                  ICP 433                  RI 96                  Age/Calv. 9/6                  Avg. WI/Calf 105/5</p>	<p><b>LAR 040375</b>                  SPN Mat. 104</p>  <p><b>LMR 080025</b></p>	<p><b>LAR 020331</b>                  SPN Mat. 108</p> <p><b>LAR 000334</b>                  AFC 33 SPN Mat. 82                  ICP 480 Age/Calv. 9/4                  Avg. WI/Calf 98/3</p> <p><b>LMR 030096</b>                  SPN Mat. 48                  Gold</p> <p><b>LMR 950097</b>                  AFC 29 SPN Mat. 105                  ICP 413 Age/Calv. 15/12                  Avg. WI/Calf 98/12</p>	<p><b>LAR 990144</b>                  SPN Mat. 113  <b>LAR 960236</b>                  SPN Mat. 133  <b>LAR 980272</b>                  SPN Mat. 57  <b>LAR 920012</b>                  SPN Mat. 97  <b>AG 950204</b>                  SPN Mat. 43  <b>LMR 960116</b>                  SPN Mat. 114  <b>RE K 0328</b>                  SPN Mat. 116  <b>LMR N 0032</b>                  SPN Mat. 80</p>
---	---	--	---


**Lot 114B**

<p><b>LMR 110387</b>                  SPN Mat. 72                  AFC 34                  ICP 442                  RI 98                  Age/Calv. 9/6                  Avg. WI/Calf 98/5</p>	<p><b>PER 040065</b>                  SPN Mat. 59                  Silver</p>  <p><b>LMR 060149</b></p>	<p><b>AG J 0008</b>                  SPN Mat. 88</p> <p>Elite-Gold  <b>PER 000051</b></p> <p>AFC 35 SPN Mat. 95                  ICP 392 Age/Calv. 14/11                  Avg. WI/Calf 100/10</p> <p><b>AEJ 970082</b>                  SPN Mat. 80</p> <p><b>LMR 980188</b>                  AFC 34 SPN Mat. 107                  ICP 507 Age/Calv. 13/8                  Avg. WI/Calf 102/6</p>	<p><b>AG D 0103</b>                  SPN Mat. 91  <b>AG X 0031</b>                  SPN Mat. 104  <b>VV 940061</b>                  SPN Mat. 111  <b>PER 960036</b>                  SPN Mat. 80  <b>AEJ 940063</b>                  SPN Mat. 126  <b>AEJ 950040</b>                  SPN Mat. 61  <b>JHO 940077</b>                  SPN Mat. 104  <b>LMR 960076</b>                  SPN Mat. 66</p>
---	--	---	--


**Lot 114C**

<p><b>LMR 110239</b>                  SPN Mat. 89                  AFC 37                  ICP 401                  RI 102                  Age/Calv. 9/6                  Avg. WI/Calf 96/5</p>	<p><b>LMR 070297</b>                  SPN Mat. 95</p>  <p><b>LMR 080347</b></p>	<p><b>BG 040039</b>                  SPN Mat. 110</p> <p><b>LMR 020319</b>                  AFC 34 SPN Mat. 76                  ICP 470 Age/Calv. 5/3                  Avg. WI/Calf 90/3</p> <p><b>LMR 050351</b>                  SPN Mat. 100                  Gold</p> <p><b>HOT 040246</b>                  AFC 35 SPN Mat. 75                  ICP 350 Age/Calv. 4/2                  Avg. WI/Calf 90/2</p>	<p><b>BG 010012</b>                  SPN Mat. 128  <b>BG 000036</b>                  SPN Mat. 114  <b>AG 920143</b>                  SPN Mat. 98  <b>LMR N 0021</b>                  SPN Mat. 79  <b>AG 970223</b>                  SPN Mat. 93  <b>LMR 970083</b>                  SPN Mat. 97  <b>HOT 010173</b>                  SPN Mat. 102  <b>SAS 000114</b>                  SPN Mat. 75</p>
--	--	--	--

**Lot 115A**

<p><b>LMR 100255</b>                  SPN Mat. 110                  AFC 36                  ICP 398                  RI 103                  Age/Calv. 10/7                  Avg. WI/Calf 104/6</p>	<p><b>WBB 060003</b>                  SPN Mat. 89                  Gold</p>  <p><b>LMR 070017</b></p>	<p><b>LAR 010176</b>                  SPN Mat. 84</p> <p><b>AG 020175</b>                  AFC 25 SPN Mat. 61                  ICP 411 Age/Calv. 14/12                  Avg. WI/Calf 97/10</p> <p><b>BG 010028</b>                  SPN Mat. 105</p> <p><b>LMR 980056</b>                  AFC 36 SPN Mat. 108                  ICP 413 Age/Calv. 12/9                  Avg. WI/Calf 102/9</p>	<p><b>AG 970048</b>                  SPN Mat. 91  <b>LAR 980262</b>                  SPN Mat. 93  <b>AG 950284</b>                  SPN Mat. 58  <b>AG 980309</b>                  SPN Mat. 80  <b>FCT 980067</b>                  SPN Mat. 101  <b>BG 970045</b>                  SPN Mat. 104  <b>AG 910241</b>                  SPN Mat. 65  <b>LMR 940003</b>                  SPN Mat. 129</p>
---	--	--	---

**Lot 115B**

<p><b>LMR 100267</b>                  SPN Mat. 84                  AFC 36                  ICP 396                  RI 104                  Age/Calv. 10/7                  Avg. WI/Calf 102/6</p>	<p><b>LAR 050179</b>                  SPN Mat. 91</p>  <p><b>GID 010055</b></p>	<p><b>LAR 010297</b>                  SPN Mat. 71</p> <p><b>LAR 950050</b>                  AFC 33 SPN Mat. 153                  ICP 433 Age/Calv. 19/15                  Avg. WI/Calf 111/14</p> <p><b>V 970047</b>                  SPN Mat. 100</p> <p><b>GID 990015</b>                  AFC 31 SPN Mat. 73                  ICP 550 Age/Calv. 6/3                  Avg. WI/Calf 94/3</p>	<p><b>AG 920097</b>                  SPN Mat. 49  <b>LAR 960332</b>                  SPN Mat. 113  <b>AG N 0081</b>                  SPN Mat. 70  <b>LAR 920117</b>                  SPN Mat. 152  <b>EI 930072</b>                  SPN Mat. 88  <b>V 940147</b>                  SPN Mat. 113  <b>T 920002</b>                  SPN Mat. 74  <b>GID J 0027</b>                  SPN Mat. 77</p>
--	--	---	---

## VROULIKE DIERE

Lot	Verkoper	ID	POENA	Gen	OUIERS		Toets	Teelwaarde indekse										Kalf ID	Gebruiker Eie Opmerkings		
					VADER GV OV	MOEDER GV OV		Genomies Getoets	DNS	Geb Dir	Speen Dir	Geb Mat	Speen Mat	Volwas- se Gewig	Naspeen	GDT	VOV			SO	Hgt
					Geb. dat.	Gew kg	Gew kg	Ind	kg	kg	kg	365dM	540d Ind	Ind	Ind	(mm)	(mm)	(mm)	GT / POLLED		

### Koeie met Kalwers

115 C	PAUL MARE BONSMARA STOET	LMR 100279	AG 030046	NS365	<b>108</b>	<b>109</b>	<b>100</b>	<b>111</b>	<b>101</b>	<b>107</b>	<b>109</b>	<b>103</b>	<b>94</b>	<b>98</b>	<b>106</b>	-	BONFLMR 200083	
					0.15	17.2	-0.21	6.9	11.0	26.3	139	-53	5.1	0	22	-	BONFLMR 190407	
			LMR 050231	22.09.10	31													
116 A	PAUL MARE BONSMARA STOET	LMR 110339	LMR 090070	NS540	<b>80</b>	<b>95</b>	<b>92</b>	<b>90</b>	<b>101</b>	<b>100</b>	<b>104</b>	<b>97</b>	<b>94</b>	<b>104</b>	<b>101</b>	-	BONFLMR 190407	
					3.12	11.2	0.20	1.1	10.0	21.5	112	-40	4.9	5	15	-	BONFLMR 190417	
			LMR 000067	08.11.11	37													
116 B	PAUL MARE BONSMARA STOET	LMR 120199	LMR 080332	NS540	<b>90</b>	<b>117</b>	<b>70</b>	<b>100</b>	<b>118</b>	<b>128</b>	<b>127</b>	<b>109</b>	<b>125</b>	<b>121</b>	<b>118</b>	-	BONFLMR 190417	
					2.11	20.8	1.18	3.9	29.0	41.0	218	-65	29.8	19	40	-	BONFLMR 190411	
			LMR 030262	12.09.12	38													
116 C	PAUL MARE BONSMARA STOET	LMR 130337	AEJ 090102	NS540	<b>84</b>	<b>118</b>	<b>117</b>	<b>104</b>	<b>110</b>	<b>118</b>	<b>98</b>	<b>99</b>	<b>99</b>	<b>92</b>	<b>107</b>	-	BONFLMR 190411	
					2.74	21.5	-0.97	5.0	20.0	34.3	88	-45	8.8	-5	23	-	BONFLMR 190411	
			LMR 070207	13.10.13	40													

### Dragtige Koeie

117 A	PAUL MARE BONSMARA STOET	NFS 090069	NFS 060243	NS365	<b>100</b>	<b>93</b>	<b>104</b>	<b>121</b>	<b>82</b>	<b>93</b>	<b>89</b>	<b>94</b>	<b>107</b>	<b>84</b>	<b>95</b>	-	378	
					0.99	10.1	-0.39	9.5	-10.0	16.6	45	-33	15.0	-12	7	6.21	10.6	8 Maande dragtig van LAR 14-173
			NFS 070087	16.09.09	27													48

### Koeie met Kalwers


117 B	PAUL MARE BONSMARA STOET	LMR 110197	LMR 090070	NS540	<b>89</b>	<b>97</b>	<b>86</b>	<b>91</b>	<b>113</b>	<b>99</b>	<b>95</b>	<b>94</b>	<b>88</b>	<b>98</b>	<b>98</b>	-	BONMLMR 200100		
					2.21	12.0	0.45	1.3	24.0	21.2	74	-32	0.4	0	10	-	BONMLMR 200100		
			GID 010055	29.09.11	36														19.04.20 (45)
																		46.2	



### Lot 115C

**Elite-Bron**  
**EMR 100279**  
SPN Mat. 111  
OEK 37  
TKP 393  
RI 104  
Oud/Kalw. 10/7  
Gem. Sl/Kalf 112/6

**AG 030046**  
SPN Mat. 88



**LMR 050231**

**AG 980338**  
SPN Mat. 87

**AG 980123**  
SPN Mat. 105  
Oud/Kalw. 15/11  
Gem. Sl/Kalf 107/10

**AG 980033**  
SPN Mat. 67

**LMR 020369**  
SPN Mat. 86  
Oud/Kalw. 11/9  
Gem. Sl/Kalf 98/7

OEK 26  
TKP 461

OEK 28  
TKP 387  
RI 112

SPN Mat. 104  
**AG 920184**  
SPN Mat. 102  
**TBR 910704**  
SPN Mat. 77  
**AG 950323**  
SPN Mat. 90  
**TBR 910704**  
SPN Mat. 77  
**AG 950044**  
SPN Mat. 103  
**AG 950204**  
SPN Mat. 43  
**LMR 920101**  
SPN Mat. 101


OEK 31  
TKP 403

OEK 36  
TKP 399  
RI 105

### Lot 116A

**LMR 110339**  
SPN Mat. 90  
OEK 34  
TKP 385  
RI 107  
Oud/Kalw. 8/6  
Gem. Sl/Kalf 97/5

**LMR 090070**  
SPN Mat. 100



**LMR 000067**

**LMR 030096**  
SPN Mat. 48  
Goud

**EI 010108**  
SPN Mat. 127  
Oud/Kalw. 10/7  
Gem. Sl/Kalf 104/5

**JHO 940077**  
SPN Mat. 104

**LMR 960049**  
SPN Mat. 73  
Oud/Kalw. 7/5  
Gem. Sl/Kalf 94/3

OEK 37  
TKP 402

OEK 36  
TKP 368


SPN Mat. 43  
**LMR 960116**  
SPN Mat. 114  
**EI 980266**  
SPN Mat. 147  
**EI 960182**  
SPN Mat. 125  
**GB 910009**  
SPN Mat. 94  
**JHO 910014**  
SPN Mat. 105  
**AG 910241**  
SPN Mat. 65  
**LMR 930004**  
SPN Mat. 87

OEK 36  
TKP 368

### Lot 116B

**LMR 120199**  
SPN Mat. 100  
OEK 35  
TKP 397  
RI 103  
Oud/Kalw. 7/5  
Gem. Sl/Kalf 105/2

**LMR 080332**  
SPN Mat. 77



**LMR 030262**

**LMR 050117**  
SPN Mat. 81  
Goud

**LMR 030262**  
SPN Mat. 113  
Oud/Kalw. 9/7  
Gem. Sl/Kalf 107/6

**PHR 000069**  
SPN Mat. 57

**LMR 950029**  
SPN Mat. 126  
Oud/Kalw. 9/8  
Gem. Sl/Kalf 103/7

OEK 30  
TKP 401  
RI 108

OEK 29  
TKP 368


SPN Mat. 93  
**LMR 970028**  
SPN Mat. 78  
**PHR 000069**  
SPN Mat. 57  
**LMR 950029**  
SPN Mat. 126  
**PHR 920043**  
SPN Mat. 63  
**PHR 970131**  
SPN Mat. 77  
**BD N 0097**  
SPN Mat. 143  
**LMR 0065**  
SPN Mat. 105

OEK 30  
TKP 366

### Lot 116C

**LMR 130337**  
SPN Mat. 104  
OEK 36  
TKP 395  
RI 102  
Oud/Kalw. 6/4  
Gem. Sl/Kalf 108/3

**AEJ 090102**  
SPN Mat. 84



**LMR 070207**

**AG 020251**  
SPN Mat. 120  
Goud

**AEJ 030059**  
SPN Mat. 94  
Oud/Kalw. 9/8  
Gem. Sl/Kalf 104/6

**LMR 040221**  
SPN Mat. 77  
Bron

**LMR 040040**  
SPN Mat. 97  
Oud/Kalw. 12/8  
Gem. Sl/Kalf 96/6

OEK 29  
TKP 366

OEK 33  
TKP 462

SPN Mat. 87  
**AG 950206**  
SPN Mat. 127  
**AEJ 990090**  
SPN Mat. 92  
**AEJ 990145**  
SPN Mat. 59  
**BHE 990169**  
SPN Mat. 80  
**LMR 010253**  
SPN Mat. 94  
**AG 990017**  
SPN Mat. 99  
**LMR 970064**  
SPN Mat. 111


OEK 33  
TKP 462

### Lot 117A

8 Maande dragtig van LAR 14-173

**NFS 090069**  
SPN Mat. 121  
OEK 31  
TKP 367  
RI 114  
Oud/Kalw. 10/8  
Gem. Sl/Kalf 99/6

**NFS 060243**  
SPN Mat. 136  
Goud



**NFS 070087**

**AG 020338**  
SPN Mat. 112

**T 030046**  
SPN Mat. 151  
Oud/Kalw. 7/4  
Gem. Sl/Kalf 119/3

**MMJ 000174**  
SPN Mat. 101

**NFS 000255**  
SPN Mat. 131  
Oud/Kalw. 10/8  
Gem. Sl/Kalf 103/8

OEK 36  
TKP 442

OEK 31  
TKP 368


SPN Mat. 87  
**AG 950155**  
SPN Mat. 134  
**DFP 000173**  
SPN Mat. 124  
**T 990095**  
SPN Mat. 124  
**HJS 970048**  
SPN Mat. 115  
**MMJ 970214**  
SPN Mat. 100  
**RCO 960202**  
SPN Mat. 121  
**NFS 960083**  
SPN Mat. 104

OEK 36  
TKP 442

### Lot 117B

**LMR 110197**  
SPN Mat. 91  
OEK 35  
TKP 415  
RI 102  
Oud/Kalw. 9/6  
Gem. Sl/Kalf 103/4

**LMR 090070**  
SPN Mat. 100



**GID 010055**

**LMR 030096**  
SPN Mat. 48  
Goud

**EI 010108**  
SPN Mat. 127  
Oud/Kalw. 10/7  
Gem. Sl/Kalf 104/5

**V 970047**  
SPN Mat. 100

**GID 990015**  
SPN Mat. 73  
Oud/Kalw. 6/3  
Gem. Sl/Kalf 94/3

OEK 37  
TKP 402

OEK 31  
TKP 550

SPN Mat. 43  
**LMR 960116**  
SPN Mat. 114  
**EI 980266**  
SPN Mat. 147  
**EI 960182**  
SPN Mat. 125  
**EI 930072**  
SPN Mat. 88  
**V 940147**  
SPN Mat. 113  
**T 920002**  
SPN Mat. 74  
**GID J 0027**  
SPN Mat. 77

OEK 37  
TKP 402

## FEMALE ANIMALS

Lot	Seller	ID	PARENTS	Test	Breeding Value Indexes											R:	Calf ID	Breeder Own Remarks					
					DIRECT CALF TRAITS		DAUGHTER TRAITS			GROWTH		EFF.	REP	MEASUREMENTS									
		POLLED		Gen		SIRE	PV	Genomic Tested	Birth Dir	Wean Dir	Birth Mat	Wean Mat	Mat Wgt	Post Wean	ADG	FCR	SC	Hgt	Lgt	LHR	Birth Date (Weight)		
						DAM	PV	DNA	Acc	Acc	Acc	Acc	Acc	Acc	Acc	Acc	Acc	Acc	Acc	BWR	Sire		
						GV	PV	Birth Date	Wgt kg	Wgt kg	Ind	kg	kg	kg	365dM	540dInd	Ind	Ind	(mm)	(mm)	(mm)	WWR	GT / POLLED


### Cows with Calves

117 C	PAUL MARE BONSMARA STOET	LMR 120115	LMR 080104	PW540	<b>121</b>	<b>92</b>	<b>100</b>	<b>124</b>	<b>95</b>	<b>99</b>	<b>106</b>	<b>102</b>	<b>104</b>	<b>94</b>	<b>100</b>	-	BONMLMR 200086
			PH		-1.16	9.5	-0.21	10.4	4.0	21.1	121	-50	12.4	-3	13	-	BONMLMR 160050
			LMR 050177	11.05.12	32												
118 A	PAUL MARE BONSMARA STOET	LMR 130349	LMR 060078	PW540	<b>74</b>	<b>108</b>	<b>99</b>	<b>107</b>	<b>111</b>	<b>99</b>	<b>101</b>	<b>97</b>	<b>99</b>	<b>98</b>	<b>111</b>	-	BONMLMR 200002
					3.74	17.1	-0.16	5.8	21.0	21.2	101	-40	8.5	0	29	-	BONMAG 110224
			LMR 090243	21.10.13	40												
118 B	PAUL MARE BONSMARA STOET	LMR 140367	LMR 070316	PW540	<b>92</b>	<b>118</b>	<b>98</b>	<b>106</b>	<b>108</b>	<b>102</b>	<b>110</b>	<b>112</b>	<b>107</b>	<b>103</b>	<b>106</b>	-	BONFLMR 190415
					1.85	21.4	-0.11	5.6	18.0	23.0	142	-72	15.5	4	22	-	BONMLMR 130308
			LMR 100329	28.10.14	35												
118 C	PAUL MARE BONSMARA STOET	LMR 150001	JRB 040014	PW365	<b>106</b>	<b>101</b>	<b>97</b>	<b>78</b>	<b>92</b>	<b>98</b>	<b>94</b>	<b>96</b>	<b>94</b>	<b>102</b>	<b>103</b>	-	BONMLMR 190420
					0.34	13.8	-0.05	-2.1	1.0	20.3	69	-37	4.9	3	18	-	BONMBBM 120194
			LMR 050191	03.02.15	36												
119 A	PAUL MARE BONSMARA STOET	LMR 140035	PAD 100014	PW540	<b>101</b>	<b>108</b>	<b>121</b>	<b>83</b>	<b>118</b>	<b>108</b>	<b>98</b>	<b>100</b>	<b>120</b>	<b>93</b>	<b>96</b>	-	BONFLMR 200071
					0.87	16.7	-1.13	-0.8	29.0	27.5	88	-45	25.5	-4	8	-	BONMLMR 160090
			LMR 050145	27.03.14	35												


### Pregnant Cows

119 B	PAUL MARE BONSMARA STOET	LMR 140125	LMR 070334	PW540	<b>111</b>	<b>99</b>	<b>109</b>	<b>82</b>	<b>89</b>	<b>94</b>	<b>100</b>	<b>95</b>	<b>104</b>	<b>103</b>	<b>104</b>	-	384	
					-0.16	13.0	-0.62	-1.0	-2.0	17.8	95	-36	13.0	4	19	-	6	7 Maande dragtig van LAR 14-173
			LMR 100007	24.04.14	36													55


**Lot 117C**

<p><b>LMR 120115</b>                  SPN Mat. 124                  AFC 35                  ICP 366                  RI 109                  Age/Calv. 8/6                  Avg. WI/Calf 104/4</p>	<p><b>LMR 080104</b>                  SPN Mat. 115</p>  <p><b>LMR 050177</b>                  Elite-Gold</p>	<p><b>LMR 020173</b>                  SPN Mat. 115                  Gold</p> <p><b>LMR 020171</b>                  SPN Mat. 114                  Age/Calv. 11/9                  Avg. WI/Calf 108/9</p> <p><b>LAR 990144</b>                  SPN Mat. 113</p> <p><b>LMR 010186</b>                  SPN Mat. 101                  Age/Calv. 13/11                  Avg. WI/Calf 96/11</p>	<p><b>AG 970223</b>                  SPN Mat. 93</p> <p><b>LMR 980195</b>                  SPN Mat. 125</p> <p><b>AG 980033</b>                  SPN Mat. 67</p> <p><b>LMR 960022</b>                  SPN Mat. 102</p> <p><b>VV 960318</b>                  SPN Mat. 76</p> <p><b>LAR 950050</b>                  SPN Mat. 153</p> <p><b>AG 970002</b>                  SPN Mat. 79</p> <p><b>LMR 940013</b>                  SPN Mat. 102</p>
--	---	--	---


**Lot 118A**

<p><b>LMR 130349</b>                  SPN Mat. 107                  AFC 35                  ICP 400                  RI 101                  Age/Calv. 6/4                  Avg. WI/Calf 109/2</p>	<p><b>LMR 060078</b>                  SPN Mat. 98                  Bronze</p>  <p><b>LMR 090243</b></p>	<p><b>AG 020193</b>                  SPN Mat. 110</p> <p><b>LMR 980009</b>                  SPN Mat. 101                  Age/Calv. 10/7                  Avg. WI/Calf 103/5</p> <p><b>LAR 040375</b>                  SPN Mat. 104</p> <p><b>LMR 070013</b>                  SPN Mat. 111                  Age/Calv. 5/3                  Avg. WI/Calf 106/3</p>	<p><b>AG 980338</b>                  SPN Mat. 87</p> <p><b>AG 950001</b>                  SPN Mat. 118</p> <p><b>AG 920143</b>                  SPN Mat. 98</p> <p><b>LMR 940058</b>                  SPN Mat. 99</p> <p><b>LAR 020331</b>                  SPN Mat. 108</p> <p><b>LAR 000334</b>                  SPN Mat. 82</p> <p><b>BG 010028</b>                  SPN Mat. 105</p> <p><b>LMR 930083</b>                  SPN Mat. 106</p>
--	--	---	---


**Lot 118B**

<p><b>LMR 140367</b>                  SPN Mat. 106                  AFC 35                  ICP 415                  RI 99                  Age/Calv. 5/3                  Avg. WI/Calf 101/2</p>	<p><b>LMR 070316</b>                  SPN Mat. 116</p>  <p><b>LMR 100329</b></p>	<p><b>AG 020193</b>                  SPN Mat. 110</p> <p><b>LMR 030010</b>                  SPN Mat. 121                  Age/Calv. 13/10                  Avg. WI/Calf 104/9</p> <p><b>AG 030256</b>                  SPN Mat. 86</p> <p><b>GVZ 010044</b>                  SPN Mat. 99                  Age/Calv. 10/8                  Avg. WI/Calf 101/8</p>	<p><b>AG 980338</b>                  SPN Mat. 87</p> <p><b>AG 950001</b>                  SPN Mat. 118</p> <p><b>AG 990017</b>                  SPN Mat. 99</p> <p><b>LMR 960046</b>                  SPN Mat. 122</p> <p><b>AG 980338</b>                  SPN Mat. 87</p> <p><b>AG 930063</b>                  SPN Mat. 100</p> <p><b>AVZ 950025</b>                  SPN Mat. 78</p> <p><b>GVZ 950032</b>                  SPN Mat. 107</p>
---	---	--	--


**Lot 118C**

<p><b>LMR 150001</b>                  SPN Mat. 78                  AFC 39                  ICP 611                  RI 75                  Age/Calv. 5/2                  Avg. WI/Calf 91/1</p>	<p><b>JRB 040014</b>                  SPN Mat. 87</p>  <p><b>LMR 050191</b></p>	<p><b>JRB 000170</b>                  SPN Mat. 87</p> <p><b>JRB 020111</b>                  SPN Mat. 86                  Age/Calv. */4                  Avg. WI/Calf 99/4</p> <p><b>AG 010258</b>                  SPN Mat. 95</p> <p><b>LMR 940109</b>                  SPN Mat. 81                  Age/Calv. 13/11                  Avg. WI/Calf 92/10</p>	<p><b>IVY 960379 P</b>                  SPN Mat. 100</p> <p><b>JRB 960089</b>                  SPN Mat. 110</p> <p><b>JRB 950073</b>                  SPN Mat. 56</p> <p><b>JRB 950198</b>                  SPN Mat. 120</p> <p><b>AG 980338</b>                  SPN Mat. 87</p> <p><b>AG 950251</b>                  SPN Mat. 109</p> <p><b>CX N 0034</b>                  SPN Mat. 109</p> <p><b>LMR 920020</b>                  SPN Mat. 95</p>
---	--	---	---

**Lot 119A**

<p><b>LMR 140035</b>                  SPN Mat. 83                  AFC 35                  ICP 371                  RI 105                  Age/Calv. 6/4                  Avg. WI/Calf 98/3</p>	<p><b>PAD 100014</b>                  SPN Mat. 95</p>  <p><b>LMR 050145</b></p>	<p><b>CSW 010014</b>                  SPN Mat. 94</p> <p><b>CEF 980117</b>                  SPN Mat. 106                  Age/Calv. 17/14                  Avg. WI/Calf 106/13</p> <p><b>AG 970223</b>                  SPN Mat. 93</p> <p><b>LMR 980061</b>                  SPN Mat. 76                  Age/Calv. 14/11                  Avg. WI/Calf 93/11</p>	<p><b>BG 960125</b>                  SPN Mat. 100</p> <p><b>CSW 980048</b>                  SPN Mat. 112</p> <p><b>CEF 950315</b>                  SPN Mat. 82</p> <p><b>CEF 950131</b>                  SPN Mat. 112</p> <p><b>AG 920046</b>                  SPN Mat. 123</p> <p><b>AG 950001</b>                  SPN Mat. 118</p> <p><b>AG 910241</b>                  SPN Mat. 65</p> <p><b>LMR 910052</b>                  SPN Mat. 106</p>
--	--	--	---

**Lot 119B** Maande dragtig van LAR 14-173

<p><b>LMR 140125</b>                  SPN Mat. 82                  AFC 35                  ICP 381                  RI 103                  Age/Calv. 5/3                  Avg. WI/Calf 93/3</p>	<p><b>LMR 070334</b>                  SPN Mat. 84</p>  <p><b>LMR 100007</b></p>	<p><b>NFS 040124</b>                  SPN Mat. 104                  Silver</p> <p><b>LMR 040003</b>                  SPN Mat. 86                  Age/Calv. 6/5                  Avg. WI/Calf 102/2</p> <p><b>AG 030256</b>                  SPN Mat. 86</p> <p><b>LMR 980160</b>                  SPN Mat. 116                  Age/Calv. 13/10                  Avg. WI/Calf 107/8</p>	<p><b>RCO 980053</b>                  SPN Mat. 83</p> <p><b>NFS 960193</b>                  SPN Mat. 129</p> <p><b>AG 970002</b>                  SPN Mat. 79</p> <p><b>LMR 980001</b>                  SPN Mat. 103</p> <p><b>AG 980338</b>                  SPN Mat. 87</p> <p><b>AG 930063</b>                  SPN Mat. 100</p> <p><b>JHO 940077</b>                  SPN Mat. 104</p> <p><b>LMR 960010</b>                  SPN Mat. 91</p>
--	--	--	--

## VROULIKE DIERE

Lot	Verkoper	ID	POENA	Gen	OUIERS		Toets	Teelwaarde indekse										Kalf ID	Gebruiker Eie Opmerkings		
					VADER GV OV	MOEDER GV OV		Genomies Getoets	DNS	Geb Dir	Speen Dir	Geb Mat	Speen Mat	Volwas- se Gewig	Naspeen	GDT	VOV			SO	Hgt
					Geb. dat.	Gew kg	Gew kg	Ind	kg	kg	kg	365dM	540d Ind	Ind	Ind	(mm)	(mm)	(mm)	GT / POLLED		



### Koeie met Kalwers

119 C	PAUL MARE BONSMARA STOET	LMR 150145 SP	LMR 110036	NS365	<b>97</b>	<b>82</b>	<b>91</b>	<b>129</b>	<b>97</b>	<b>86</b>	<b>99</b>	<b>104</b>	<b>90</b>	<b>89</b>	<b>92</b>	-	BONMLMR 200004	
					1.30	5.2	0.22	11.8	6.0	11.7	91	-55	1.7	-7	2	-	BONFLMR 200117	
			LMR 070193	03.09.15	38													
120 A	PAUL MARE BONSMARA STOET	LMR 080297 SP	AG 020135	NS365	<b>97</b>	<b>85</b>	<b>72</b>	<b>97</b>	<b>92</b>	<b>96</b>	<b>105</b>	<b>91</b>	<b>107</b>	<b>99</b>	<b>99</b>	-	BONFLMR 200117	
					1.35	6.5	1.07	2.9	1.0	19.2	117	-27	14.8	1	13	-	BONFLMR 200091	
			LMR 060022	15.09.08	35													
120 B	PAUL MARE BONSMARA STOET	LMR 070151 SP	LMR 020148	NS365	<b>81</b>	<b>88</b>	<b>93</b>	<b>120</b>	<b>78</b>	<b>84</b>	<b>91</b>	<b>103</b>	<b>90</b>	<b>105</b>	<b>95</b>	-	BONFLMR 200091	
					3.01	7.9	0.15	9.4	-14.0	10.3	55	-53	1.3	6	7	-	BONFLMR 200089	
			LMR 980055	29.08.07	41													
120 C	PAUL MARE BONSMARA STOET	LMR 110063 SP	VV 030346	NS540	<b>96</b>	<b>99</b>	<b>95</b>	<b>105</b>	<b>84</b>	<b>103</b>	<b>102</b>	<b>101</b>	<b>119</b>	<b>100</b>	<b>107</b>	-	BONFLMR 200089	
					1.40	12.7	0.02	5.1	-7.0	23.9	105	-48	24.4	1	24	-	BONFLMR 200089	
			LMR 030218	31.03.11	44													



### Dragtige Koeie

121 A	PAUL MARE BONSMARA STOET	HT 100083 P A		-	<b>103</b>	<b>89</b>	<b>89</b>	<b>113</b>	<b>105</b>	<b>89</b>	<b>92</b>	-	<b>93</b>	<b>98</b>	<b>95</b>	-	414	8 Maande dragtig van LMR 16-388
					0.66	8.5	0.29	7.5	15.0	14.1	61	-	4.3	0	7	-	9.5	
				12.11.10	-													
121 B	PAUL MARE BONSMARA STOET	CRV 090345 PH SP	AEK 040051	NS540	<b>79</b>	<b>113</b>	<b>106</b>	<b>128</b>	<b>116</b>	<b>106</b>	<b>107</b>	<b>105</b>	<b>115</b>	<b>112</b>	<b>115</b>	-	413	8 Maande dragtig van LMR 16-388
					3.20	19.1	-0.49	11.4	27.0	26.1	128	-57	21.5	11	35	-	10.4	
			EI 050140	17.11.09	37													



### Lot 119C

<b>LMR 150145</b> SPN Mat. 129 OEK 39 TKP 470 RI 86 Oud/Kalw. 4/2 Gem. Si/Kalf 106/1	 <b>LMR 110036</b> SPN Mat. 126		<b>LMR 070193</b> SPN Mat. 119 Oud/Kalw. 12/10 Gem. Si/Kalf 100/10	OEK 29 TKP 386 RI 112	<b>LMR 070316</b> SPN Mat. 116	<b>AG 020193</b> SPN Mat. 110 <b>LMR 030010</b> SPN Mat. 121 <b>AG 970223</b> SPN Mat. 93 <b>LMR 980056</b> SPN Mat. 108 <b>LMR 990165</b> SPN Mat. 109 <b>LMR 960116</b> SPN Mat. 114 <b>IVY 930301</b> SPN Mat. 73 <b>GHE 940038</b> SPN Mat. 96	<b>LMR 050192</b> SPN Mat. 121 Oud/Kalw. 7/4 Gem. Si/Kalf 112/3	OEK 35 TKP 505	<b>LMR 020148</b> SPN Mat. 123 Brons	<b>IVY 960113</b> SPN Mat. 98 Oud/Kalw. 12/9 Gem. Si/Kalf 104/8	OEK 31 TKP 430




### Lot 120A

<b>LMR 080297</b> SPN Mat. 97 OEK 36 TKP 392 RI 106 Oud/Kalw. 12/9 Gem. Si/Kalf 97/8	 <b>AG 020135</b> SPN Mat. 122		<b>LMR 060022</b> SPN Mat. 61 Oud/Kalw. 6/4 Gem. Si/Kalf 87/4	OEK 30 TKP 366 RI 112	<b>RCO 990110</b> SPN Mat. 116	<b>AG 950146</b> SPN Mat. 117 Oud/Kalw. 14/12 Gem. Si/Kalf 105/11	OEK 25 TKP 369	<b>PHR 000069</b> SPN Mat. 57	<b>LMR 990018</b> SPN Mat. 104 Oud/Kalw. 12/10 Gem. Si/Kalf 100/9	OEK 36 TKP 369	<b>RCO 910097</b> SPN Mat. 113 <b>GTH 900043</b> SPN Mat. 109 <b>DOARB 0055</b> SPN Mat. 71 <b>AG 920212</b> SPN Mat. 128 <b>PHR 920043</b> SPN Mat. 63 <b>PHR 970131</b> SPN Mat. 77 <b>AG 920098</b> SPN Mat. 80 <b>LMR 930009</b> SPN Mat. 108



### Lot 120B

<b>LMR 070151</b> SPN Mat. 120 OEK 30 TKP 409 RI 107 Oud/Kalw. 13/10 Gem. Si/Kalf 103/9	 <b>LMR 020148</b> SPN Mat. 123 Brons		<b>LMR 980055</b> SPN Mat. 103 Oud/Kalw. 10/7 Gem. Si/Kalf 98/6	OEK 34 TKP 444 RI 98	<b>LMR 990165</b> SPN Mat. 109 Silver	<b>LMR 960116</b> SPN Mat. 114 Oud/Kalw. 10/7 Gem. Si/Kalf 103/4	<b>AG 910241</b> SPN Mat. 65	OEK 36 TKP 405	<b>LMR 940013</b> SPN Mat. 102 Oud/Kalw. 8/7 Gem. Si/Kalf 90/6	OEK 26 TKP 384	<b>LMR 940078</b> SPN Mat. 107 <b>LMR 950057</b> SPN Mat. 104 <b>TLB J 0030</b> SPN Mat. 103 <b>LMR 900045</b> SPN Mat. 132 <b>AG L 0165</b> SPN Mat. 86 <b>AG N 0061</b> SPN Mat. 86 <b>RE K 0328</b> SPN Mat. 116 <b>LMR 900025</b> SPN Mat. 87




### Lot 120C

 Elite-Silwer <b>LMR 110063</b> SPN Mat. 105 OEK 36 TKP 365 RI 109 Oud/Kalw. 9/7 Gem. Si/Kalf 99/7	 <b>VV 030346</b> SPN Mat. 115		<b>LMR 030218</b> SPN Mat. 92 Oud/Kalw. 11/9 Gem. Si/Kalf 98/7	OEK 30 TKP 398 RI 109	<b>VV 000318</b> SPN Mat. 87	<b>VV 970265</b> SPN Mat. 136 Oud/Kalw. 15/12 Gem. Si/Kalf 114/9	OEK 25 TKP 430	<b>AG 970002</b> SPN Mat. 79	<b>LMR 000073</b> SPN Mat. 124 Oud/Kalw. 10/8 Gem. Si/Kalf 108/8	OEK 35 TKP 370	<b>VV 970236</b> SPN Mat. 85 <b>VV 950055</b> SPN Mat. 111 <b>VV 950051</b> SPN Mat. 97 <b>BG 920057</b> SPN Mat. 104 <b>RCO 930012</b> SPN Mat. 94 <b>AG 930143</b> SPN Mat. 95 <b>JHO 940077</b> SPN Mat. 104 <b>LMR 920090</b> SPN Mat. 110

### Lot 121A<sup>8</sup> Maande dragtig van LMR 16-388

<b>HT 100083 P</b> SPN Mat. 113 OEK * TKP 428 RI 102 Oud/Kalw. *6 Gem. Si/Kalf 100/6	 SPN Mat.		SPN Mat. Oud/Kalw. / Gem. Si/Kalf /	OEK TKP	SPN Mat. Oud/Kalw. / Gem. Si/Kalf /	SPN Mat. SPN Mat. SPN Mat. SPN Mat. SPN Mat. SPN Mat.

### Lot 121B<sup>8</sup> Maande dragtig van LMR 16-388

 Elite-Brons <b>CRV 090345</b> SPN Mat. 128 OEK 34 TKP 396 RI 106 Oud/Kalw. 9/7 Gem. Si/Kalf 105/6	 <b>AEK 040051</b> SPN Mat. 99		<b>EI 050140</b> SPN Mat. 123 Oud/Kalw. 4/3 Gem. Si/Kalf 103/3	OEK 22 TKP 392 RI 122	<b>HJL 990147</b> SPN Mat. 59	<b>AEK 920053</b> SPN Mat. 109 Oud/Kalw. 14/11 Gem. Si/Kalf 103/11	OEK 34 TKP 423	<b>FCT 980067</b> SPN Mat. 101	<b>EI 960241</b> SPN Mat. 143 Oud/Kalw. 12/8 Gem. Si/Kalf 113/6	OEK 36 TKP 494	<b>HJL 950166</b> SPN Mat. 61 <b>HJL 940162</b> SPN Mat. 111 <b>AEK L 0094</b> SPN Mat. 80 <b>AEK H 0058</b> SPN Mat. 106 <b>EI 940339</b> SPN Mat. 117 <b>JVD 910053</b> SPN Mat. 108 <b>EI 900235</b> SPN Mat. 122 <b>BG 920028</b> SPN Mat. 119

## FEMALE ANIMALS


Lot	Seller	ID	PARENTS	Test	Breeding Value Indexes												Days Open	Breeder Own Remarks					
					SIRE GV PV	Genomic Tested	Birth Dir		Wean Dir		Birth Mat	Wean Mat	Mat Wgt	Post Wean		ADG			FCR	SC	Hgt	Lgt	LHR
							DNA	Acc	Acc	Acc	Acc	Acc	Acc	Acc	Acc	Acc			Acc	Acc	Acc	Acc	Acc
		POLLED	DAM GV PV	Birth Date	Wgt kg	Wgt kg	Ind	kg	kg	kg	365d Ind	540d Ind	Ind	Ind	(mm)	(mm)	(mm)	WWR	Age	Calves			

### Pregnant Cows


121 C	PAUL MARE BONSMARA STOET	HT 040030 P A		-	118	83	100	96	104	78	68	-	92	97	91	-	405	
					-0.89	5.6	-0.19	2.7	14.0	6.6	-49	-	3.2	-1	1	-	15.5	8 Maande dragtig van LMR 16-388
				20.10.04	70	64	71	77	29	48	34	-	41	40	37	-	6	
122 A	PAUL MARE BONSMARA STOET	JPL 100053 P SP	JPL 060105 P	PW365	97	98	119	83	97	93	94	102	93	90	93	-	412	
			JPL 050018 PH	DNA	1.30	12.4	-1.06	-0.9	7.0	16.6	69	-50	4.2	-7	3	6.53	9.6	6 Maande dragtig van LMR 16-388
				23.09.10	83	79	76	78	56	62	61	48	65	65	64	36.6	5	
122 B	PAUL MARE BONSMARA STOET	MPE 080128 PH B	JPL 040039 P	PW540	94	102	110	127	126	110	111	101	109	131	115	-	392	
			MPE 000005	DNA	1.70	14.1	-0.64	11.2	38.0	28.8	147	-49	17.0	27	34	7.03	11.7	8 Maande dragtig van LMR 16-388
				07.08.08	84	79	79	79	43	66	57	20	63	64	62	41	8	
123 A	PAUL MARE BONSMARA STOET	MCU 090027 P SP	MRW 040198 P	PW365	106	87	104	67	75	81	76	84	95	74	84	-	410	
			MCU 040121	DNA	0.42	7.2	-0.36	-5.2	-17.0	8.2	-13	-12	5.8	-19	-9	-	11	8 Maande dragtig van LAR 14-173
				16.05.09	85	82	80	84	58	70	67	31	72	73	71	40.4	7	
123 B	PAUL MARE BONSMARA STOET	LMR 070105 SP	LMR 020148	PW365	91	79	68	78	85	72	75	91	80	98	92	-	408	
			LMR 980030		2.03	4.0	1.28	-2.4	-6.0	2.0	-17	-26	-6.5	0	2	-	13.1	8 Maande dragtig van LMR 16-388
				12.04.07	86	84	83	87	42	68	68	47	73	74	72	-	10	
123 C	PAUL MARE BONSMARA STOET	JPL 060066 PH SP	JPL 030022 P	PW365	74	115	111	123	125	107	109	103	102	113	107	-	401	
			JPL 020155 P	DNA	3.83	20.0	-0.67	10.2	37.0	26.4	134	-54	11.2	12	24	7.24	13.6	8 Maande dragtig van LMR 16-388
				09.10.06	87	83	85	86	67	74	61	50	65	66	64	42.9	10	

1.02	13.3	-0.19	3.8	10	21.7	95	-46	9.6	2	14
------	------	-------	-----	----	------	----	-----	-----	---	----


**Lot 121C** <sup>8</sup>Maande dragtig van LMR 16-388

<p><b>HT 040030 P</b>                  SPN Mat. 96                  AFC *                  ICP 406                  RI 107                  Age/Calv. */6                  Avg. WI/Calf 99/6</p>		<p>SPN Mat.                  AFC                  ICP</p>	<p>SPN Mat.                  Age/Calv. /                  Avg. WI/Calf /</p>	<p>SPN Mat.                  SPN Mat.                  SPN Mat.                  SPN Mat.                  SPN Mat.                  SPN Mat.</p>		
					<p>SPN Mat.                  AFC                  ICP</p>	<p>SPN Mat.                  Age/Calv. /                  Avg. WI/Calf /</p>
					<p>SPN Mat.                  AFC                  ICP</p>	<p>SPN Mat.                  Age/Calv. /                  Avg. WI/Calf /</p>
					<p>SPN Mat.                  AFC                  ICP</p>	<p>SPN Mat.                  Age/Calv. /                  Avg. WI/Calf /</p>


**Lot 122A** <sup>6</sup>Maande dragtig van LMR 16-388

<p><b>JPL 100053 P</b>                  SPN Mat. 83                  AFC 31                  ICP 541                  RI 87                  Age/Calv. 8/5                  Avg. WI/Calf 107/4</p>		<p>SPN Mat.                  AFC                  ICP</p>	<p><b>JPL 060105 P</b>                  SPN Mat. 58                  Silver</p>	<p><b>JPL 050018</b>                  SPN Mat. 87                  Age/Calv. 12/10                  Avg. WI/Calf 97/9</p>	<p><b>JPL 040139 P</b>                  SPN Mat. 81                  Gold</p>	<p><b>JPL 040013 P</b>                  SPN Mat. 100                  Age/Calv. 15/11                  Avg. WI/Calf 107/8</p>	<p><b>JPL 990077 P</b>                  SPN Mat. 80                  Bronze</p>	<p><b>JPL 000077</b>                  SPN Mat. 110                  Age/Calv. 12/10                  Avg. WI/Calf 99/10</p>	<p><b>JJF 010102 P</b>                  SPN Mat. 112  <b>JPL 000070</b>                  SPN Mat. 105  <b>JPL 990077 P</b>                  SPN Mat. 80  <b>NFS 910025 P</b>                  SPN Mat. 108  <b>JPL 930032 P</b>                  SPN Mat. 40  <b>JPL 970008</b>                  SPN Mat. 121  <b>NFS 960344</b>                  SPN Mat. 111  <b>JPL 950039 P</b>                  SPN Mat. 109</p>						
										<p>SPN Mat. 83                  AFC 31                  ICP 541                  RI 87</p>	<p>SPN Mat. 87                  Age/Calv. 12/10                  Avg. WI/Calf 97/9</p>	<p>SPN Mat. 81                  Gold</p>	<p>SPN Mat. 100                  Age/Calv. 15/11                  Avg. WI/Calf 107/8</p>	<p>SPN Mat. 80                  Bronze</p>	<p>SPN Mat. 110                  Age/Calv. 12/10                  Avg. WI/Calf 99/10</p>
										<p>SPN Mat. 83                  AFC 31                  ICP 541                  RI 87</p>	<p>SPN Mat. 87                  Age/Calv. 12/10                  Avg. WI/Calf 97/9</p>	<p>SPN Mat. 81                  Gold</p>	<p>SPN Mat. 100                  Age/Calv. 15/11                  Avg. WI/Calf 107/8</p>	<p>SPN Mat. 80                  Bronze</p>	<p>SPN Mat. 110                  Age/Calv. 12/10                  Avg. WI/Calf 99/10</p>
										<p>SPN Mat. 83                  AFC 31                  ICP 541                  RI 87</p>	<p>SPN Mat. 87                  Age/Calv. 12/10                  Avg. WI/Calf 97/9</p>	<p>SPN Mat. 81                  Gold</p>	<p>SPN Mat. 100                  Age/Calv. 15/11                  Avg. WI/Calf 107/8</p>	<p>SPN Mat. 80                  Bronze</p>	<p>SPN Mat. 110                  Age/Calv. 12/10                  Avg. WI/Calf 99/10</p>


**Lot 122B** <sup>8</sup>Maande dragtig van LMR 16-388

<p><b>MPE 080128</b>                  SPN Mat. 127                  AFC 35                  ICP 402                  RI 104                  Age/Calv. 11/8                  Avg. WI/Calf 94/6</p>		<p>SPN Mat.                  AFC                  ICP</p>	<p><b>JPL 040039 P</b>                  SPN Mat. 93</p>	<p><b>MPE 000005</b>                  SPN Mat. 139                  Age/Calv. */7                  Avg. WI/Calf 107/6</p>	<p><b>BIS 920008</b>                  SPN Mat. 70  <b>BIS 940083</b>                  SPN Mat. 90  <b>NFS 960344</b>                  SPN Mat. 111  <b>JPL 930005</b>                  SPN Mat. 83</p>				
						<p>SPN Mat. 127                  AFC 35                  ICP 402                  RI 104</p>	<p>SPN Mat. 93</p>	<p>SPN Mat. 139                  Age/Calv. */7                  Avg. WI/Calf 107/6</p>	<p>SPN Mat. 70                  SPN Mat. 90                  SPN Mat. 111                  SPN Mat. 83</p>
						<p>SPN Mat. 127                  AFC 35                  ICP 402                  RI 104</p>	<p>SPN Mat. 93</p>	<p>SPN Mat. 139                  Age/Calv. */7                  Avg. WI/Calf 107/6</p>	<p>SPN Mat. 70                  SPN Mat. 90                  SPN Mat. 111                  SPN Mat. 83</p>
						<p>SPN Mat. 127                  AFC 35                  ICP 402                  RI 104</p>	<p>SPN Mat. 93</p>	<p>SPN Mat. 139                  Age/Calv. */7                  Avg. WI/Calf 107/6</p>	<p>SPN Mat. 70                  SPN Mat. 90                  SPN Mat. 111                  SPN Mat. 83</p>


**Lot 123A** <sup>8</sup>Maande dragtig van LAR 14-173

<p><b>MCU 090027 P</b>                  SPN Mat. 67                  AFC 35                  ICP 419                  RI 101                  Age/Calv. 10/7                  Avg. WI/Calf 95/7</p>		<p>SPN Mat.                  AFC                  ICP</p>	<p><b>MRW 040198 P</b>                  SPN Mat. 80</p>	<p><b>MCU 040121</b>                  SPN Mat. 78                  Age/Calv. 11/9                  Avg. WI/Calf 98/8</p>	<p><b>JJF 970098 P</b>                  SPN Mat. 92</p>	<p><b>MRW 980256</b>                  SPN Mat. 85                  Age/Calv. 7/5                  Avg. WI/Calf 103/5</p>	<p><b>VV 010230</b>                  SPN Mat. 59</p>	<p><b>MCU 990044 P</b>                  SPN Mat. 118                  Age/Calv. 6/4                  Avg. WI/Calf 112/4</p>	<p><b>VV 940238 P</b>                  SPN Mat. 84  <b>JJF 930053</b>                  SPN Mat. 92  <b>HDE 950007</b>                  SPN Mat. 93  <b>MRW 930188</b>                  SPN Mat. 66  <b>VV 980271</b>                  SPN Mat. 91  <b>VV 950193</b>                  SPN Mat. 89  <b>JPL 960054 P</b>                  SPN Mat. 100  <b>MCU K 0034</b>                  SPN Mat. 110</p>							
										<p>SPN Mat. 67                  AFC 35                  ICP 419                  RI 101</p>	<p>SPN Mat. 80</p>	<p>SPN Mat. 78                  Age/Calv. 11/9                  Avg. WI/Calf 98/8</p>	<p>SPN Mat. 92</p>	<p>SPN Mat. 85                  Age/Calv. 7/5                  Avg. WI/Calf 103/5</p>	<p>SPN Mat. 59</p>	<p>SPN Mat. 118                  Age/Calv. 6/4                  Avg. WI/Calf 112/4</p>
										<p>SPN Mat. 67                  AFC 35                  ICP 419                  RI 101</p>	<p>SPN Mat. 80</p>	<p>SPN Mat. 78                  Age/Calv. 11/9                  Avg. WI/Calf 98/8</p>	<p>SPN Mat. 92</p>	<p>SPN Mat. 85                  Age/Calv. 7/5                  Avg. WI/Calf 103/5</p>	<p>SPN Mat. 59</p>	<p>SPN Mat. 118                  Age/Calv. 6/4                  Avg. WI/Calf 112/4</p>
										<p>SPN Mat. 67                  AFC 35                  ICP 419                  RI 101</p>	<p>SPN Mat. 80</p>	<p>SPN Mat. 78                  Age/Calv. 11/9                  Avg. WI/Calf 98/8</p>	<p>SPN Mat. 92</p>	<p>SPN Mat. 85                  Age/Calv. 7/5                  Avg. WI/Calf 103/5</p>	<p>SPN Mat. 59</p>	<p>SPN Mat. 118                  Age/Calv. 6/4                  Avg. WI/Calf 112/4</p>

**Lot 123B** <sup>8</sup>Maande dragtig van LMR 16-388

<p><b>LMR 070105</b>                  SPN Mat. 78                  AFC 31                  ICP 378                  RI 111                  Age/Calv. 12/10                  Avg. WI/Calf 94/10</p>		<p>SPN Mat.                  AFC                  ICP</p>	<p><b>LMR 020148</b>                  SPN Mat. 123                  Bronze</p>	<p><b>LMR 980030</b>                  SPN Mat. 66                  Age/Calv. 10/7                  Avg. WI/Calf 93/7</p>	<p><b>LMR 940078</b>                  SPN Mat. 107  <b>LMR 950057</b>                  SPN Mat. 104  <b>TLB J 0030</b>                  SPN Mat. 103  <b>LMR 900045</b>                  SPN Mat. 132  <b>HJL D 0151</b>                  SPN Mat. 92  <b>AG X 0073</b>                  SPN Mat. 104  <b>LDW L 0160</b>                  SPN Mat. 99  <b>RE L 0387</b>                  SPN Mat. 76</p>				
						<p>SPN Mat. 78                  AFC 31                  ICP 378                  RI 111</p>	<p>SPN Mat. 123                  Bronze</p>	<p>SPN Mat. 66                  Age/Calv. 10/7                  Avg. WI/Calf 93/7</p>	<p>SPN Mat. 107                  SPN Mat. 104                  SPN Mat. 103                  SPN Mat. 132                  SPN Mat. 92                  SPN Mat. 104                  SPN Mat. 99                  SPN Mat. 76</p>
						<p>SPN Mat. 78                  AFC 31                  ICP 378                  RI 111</p>	<p>SPN Mat. 123                  Bronze</p>	<p>SPN Mat. 66                  Age/Calv. 10/7                  Avg. WI/Calf 93/7</p>	<p>SPN Mat. 107                  SPN Mat. 104                  SPN Mat. 103                  SPN Mat. 132                  SPN Mat. 92                  SPN Mat. 104                  SPN Mat. 99                  SPN Mat. 76</p>
						<p>SPN Mat. 78                  AFC 31                  ICP 378                  RI 111</p>	<p>SPN Mat. 123                  Bronze</p>	<p>SPN Mat. 66                  Age/Calv. 10/7                  Avg. WI/Calf 93/7</p>	<p>SPN Mat. 107                  SPN Mat. 104                  SPN Mat. 103                  SPN Mat. 132                  SPN Mat. 92                  SPN Mat. 104                  SPN Mat. 99                  SPN Mat. 76</p>

**Lot 123C** <sup>8</sup>Maande dragtig van LMR 16-388


<p><b>JPL 060066</b>                  SPN Mat. 123                  AFC 35                  ICP 387                  RI 108                  Age/Calv. 12/10                  Avg. WI/Calf 111/9</p>		<p>SPN Mat.                  AFC                  ICP</p>	<p><b>JPL 030022 P</b>                  SPN Mat. 90                  Bronze</p>	<p><b>JPL 020155 P</b>                  SPN Mat. 79                  Age/Calv. 4/2                  Avg. WI/Calf 98/2</p>	<p><b>HJB 990115 P</b>                  SPN Mat. 98</p>	<p><b>MCU 970006 P</b>                  SPN Mat. 104                  Age/Calv. 16/14                  Avg. WI/Calf 100/16</p>	<p><b>DFP 920086 P</b>                  SPN Mat. 58                  Gold</p>	<p><b>JPL 920016 P</b>                  SPN Mat. 73                  Age/Calv. 16/15                  Avg. WI/Calf 95/15</p>	<p><b>AG 920282</b>                  SPN Mat. 113  <b>HES 960119 P</b>                  SPN Mat. 91  <b>TWK 930268 P</b>                  SPN Mat. 116  <b>MCU 940093</b>                  SPN Mat. 105  <b>DFP J 0032</b>                  SPN Mat. 114  <b>KDJ K 0018 P</b>                  SPN Mat. 86  <b>NFS J 0095 P</b>                  SPN Mat. 76  <b>JPL H 0038 P</b>                  SPN Mat. 64</p>							
										<p>SPN Mat. 123                  AFC 35                  ICP 387                  RI 108</p>	<p>SPN Mat. 90                  Bronze</p>	<p>SPN Mat. 79                  Age/Calv. 4/2                  Avg. WI/Calf 98/2</p>	<p>SPN Mat. 98</p>	<p>SPN Mat. 104                  Age/Calv. 16/14                  Avg. WI/Calf 100/16</p>	<p>SPN Mat. 58                  Gold</p>	<p>SPN Mat. 73                  Age/Calv. 16/15                  Avg. WI/Calf 95/15</p>
										<p>SPN Mat. 123                  AFC 35                  ICP 387                  RI 108</p>	<p>SPN Mat. 90                  Bronze</p>	<p>SPN Mat. 79                  Age/Calv. 4/2                  Avg. WI/Calf 98/2</p>	<p>SPN Mat. 98</p>	<p>SPN Mat. 104                  Age/Calv. 16/14                  Avg. WI/Calf 100/16</p>	<p>SPN Mat. 58                  Gold</p>	<p>SPN Mat. 73                  Age/Calv. 16/15                  Avg. WI/Calf 95/15</p>
										<p>SPN Mat. 123                  AFC 35                  ICP 387                  RI 108</p>	<p>SPN Mat. 90                  Bronze</p>	<p>SPN Mat. 79                  Age/Calv. 4/2                  Avg. WI/Calf 98/2</p>	<p>SPN Mat. 98</p>	<p>SPN Mat. 104                  Age/Calv. 16/14                  Avg. WI/Calf 100/16</p>	<p>SPN Mat. 58                  Gold</p>	<p>SPN Mat. 73                  Age/Calv. 16/15                  Avg. WI/Calf 95/15</p>

## VROULIKE DIERE


Lot	Verkoper	ID	OUERS	Toets	Teelwaarde indekse											Kalf ID	Gebruiker Eie Opmerkings	
					DIREKTE KALF EIENSKAPPE		DOGTER EIENSKAPPE			GROEI		DOEL	REP	MATES				V:
		VADER		Genomies	Geb Dir	Speen Dir	Geb Mat	Speen Mat	Volwas Gew	Naspeen	GDT	VOV	SO	Hgt	Lgt	LHV	Geboorte dat (Gewig)	
		GV OV		DNS	Akk	Akk	Akk	Akk	Akk	Akk	Akk	Akk	Akk	Akk	Akk	GGV	Vaar	
		MOEDER		Geb. dat.	Gew kg	Gew kg	Ind	kg	kg	kg	365dM	540d Ind	Ind	Ind	(mm)	(mm)	(mm)	GT / POLLED
<b>Koeie met Kalwers</b>																		
124 A	PAUL MARE BONSMARA STOET	LMR 150041	AG 100008	NS540	<b>108</b>	<b>96</b>	<b>108</b>	<b>77</b>	<b>91</b>	<b>102</b>	<b>101</b>	<b>98</b>	<b>93</b>	<b>85</b>	<b>100</b>	-	BONMLMR 200052	
					0.18	11.6	-0.57	-2.4	0.0	23.3	98	-42	4.3	-10	13	-	BONMLMR 200040	
			LMR 110105	29.03.15	32													46.7
124 B	PAUL MARE BONSMARA STOET	LMR 150051	WAT 050078	NS540	<b>128</b>	<b>88</b>	<b>111</b>	<b>99</b>	<b>99</b>	<b>85</b>	<b>102</b>	<b>89</b>	<b>117</b>	<b>100</b>	<b>102</b>	-	BONMLMR 200040	
			PH		-1.97	8.0	-0.71	3.5	8.0	11.0	103	-24	23.5	2	16	-	BONMLMR 200040	
			LMR 030010	31.03.15	28													32
124 C	PAUL MARE BONSMARA STOET	LMR 150229	LMR 090224	NS540	<b>87</b>	<b>124</b>	<b>90</b>	<b>99</b>	<b>133</b>	<b>121</b>	<b>114</b>	<b>106</b>	<b>113</b>	<b>113</b>	<b>121</b>	-	BONMLMR 200028	
					2.37	24.3	0.24	3.5	45.0	36.4	158	-58	20.2	12	44	-	BONMLMR 200028	
			LMR 120149	21.05.15	36													41.4
125 A	PAUL MARE BONSMARA STOET	LMR 140133	AG 030256	NS540	<b>100</b>	<b>96</b>	<b>90</b>	<b>84</b>	<b>94</b>	<b>94</b>	<b>97</b>	<b>97</b>	<b>96</b>	<b>96</b>	<b>93</b>	-	BONMLMR 200064	
					1.07	11.6	0.27	-0.5	3.0	17.7	81	-41	6.3	-1	3	-	BONMLMR 200064	
			LTS 040100	07.05.14	32													26.5
<b>Dragtige Koeie</b>																		
125 B	PAUL MARE BONSMARA STOET	HP 130014	CSW 080019	NS365	<b>104</b>	<b>103</b>	<b>96</b>	<b>110</b>	<b>84</b>	<b>102</b>	<b>102</b>	<b>95</b>	<b>106</b>	<b>104</b>	<b>112</b>	-	400	
					0.61	14.5	0.00	6.5	-7.0	22.9	102	-35	14.4	5	31	6.02	7.1	8 Maande dragtig van LMR 16-050
			HP 100190	20.03.13	30													48.2
125 C	PAUL MARE BONSMARA STOET	CRV 120112	BPJ 080027	NS365	<b>82</b>	<b>123</b>	<b>103</b>	<b>109</b>	<b>116</b>	<b>125</b>	<b>107</b>	<b>106</b>	<b>110</b>	<b>112</b>	<b>113</b>	-	376	
					2.92	23.7	-0.32	6.3	27.0	38.9	127	-58	17.5	11	33	-	8	8 Maande dragtig van LMR 14-224
			CRV 090198	08.05.12	33													-




### Lot 124A

<p><b>LMR 150041</b> SPN Mat. 77 OEK 30 TKP 455 RI 103 Oud/Kalw. 5/3 Gem. Si/Kalf 92/2</p>	<p><b>AG 100008</b> SPN Mat. 88</p>  <p><b>LMR 110105</b> SPN Mat. 90 Oud/Kalw. 7/5 Gem. Si/Kalf 96/4</p>	<p><b>AG 060481</b> SPN Mat. 90</p> <p><b>AG 970106</b> SPN Mat. 80 Oud/Kalw. 15/13 Gem. Si/Kalf 95/12</p> <p><b>PAD 070131</b> SPN Mat. 82</p> <p><b>LMR 020171</b> SPN Mat. 114 Oud/Kalw. 11/9 Gem. Si/Kalf 108/9</p>	<p><b>LAR 010176</b> SPN Mat. 84 <b>AG 970157</b> SPN Mat. 105 <b>AG J 0008</b> SPN Mat. 88 <b>AG 950012</b> SPN Mat. 120 <b>EI 040038</b> SPN Mat. 93 <b>SLH 960053</b> SPN Mat. 89 <b>AG 980033</b> SPN Mat. 67 <b>LMR 960022</b> SPN Mat. 102</p>
--	--	---	--


### Lot 124B

<p><b>LMR 150051</b> SPN Mat. 99 OEK 30 TKP 455 RI 103 Oud/Kalw. 5/3 Gem. Si/Kalf 102/2</p>	<p><b>WAT 050078</b> SPN Mat. 86</p>  <p><b>LMR 030010</b> SPN Mat. 121 Oud/Kalw. 13/10 Gem. Si/Kalf 104/9</p>	<p><b>WAT 000200</b> SPN Mat. 113</p> <p><b>WAT 020330</b> SPN Mat. 104 Oud/Kalw. 11/9 Gem. Si/Kalf 103/8</p> <p><b>AG 990017</b> SPN Mat. 99</p> <p><b>LMR 960046</b> SPN Mat. 122 Oud/Kalw. 7/5 Gem. Si/Kalf 114/5</p>	<p><b>BG 960125</b> SPN Mat. 100 <b>WAT 960277</b> SPN Mat. 106 <b>WAT 970101</b> SPN Mat. 108 <b>WAT 970271</b> SPN Mat. 88 <b>RCO 940144</b> SPN Mat. 78 <b>AG 910197</b> SPN Mat. 114 <b>AG 910241</b> SPN Mat. 65 <b>LMR 930038</b> SPN Mat. 99</p>
---	---	--	---

### Lot 124C


<p><b>LMR 150229</b> SPN Mat. 99 OEK 30 TKP 427 RI 106 Oud/Kalw. 5/3 Gem. Si/Kalf 106/2</p>	<p><b>LMR 090224</b> SPN Mat. 52</p>  <p><b>LMR 120149</b> SPN Mat. 130 Oud/Kalw. 5/3 Gem. Si/Kalf 110/2</p>	<p><b>LMR 060156</b> SPN Mat. 69 Goud</p> <p><b>LMR 060231</b> SPN Mat. 72 Oud/Kalw. 4/2 Gem. Si/Kalf 107/2</p> <p><b>WVZ 080078</b> SPN Mat. 116</p> <p><b>LMR 080255</b> SPN Mat. 131 Oud/Kalw. 6/4 Gem. Si/Kalf 107/3</p>	<p><b>LMR 990169</b> SPN Mat. 67 <b>LMR 010270</b> SPN Mat. 102 <b>LMR 040196</b> SPN Mat. 91 <b>LMR 040052</b> SPN Mat. 67 <b>MMJ 030209</b> SPN Mat. 99 <b>WVZ 020047</b> SPN Mat. 115 <b>AG 020135</b> SPN Mat. 122 <b>LMR 060207</b> SPN Mat. 99</p>
---	---	--	--

### Lot 125A

<p><b>LMR 140133</b> SPN Mat. 84 OEK 36 TKP 355 RI 107 Oud/Kalw. 6/4 Gem. Si/Kalf 95/3</p>	<p><b>AG 030256</b> SPN Mat. 86</p>  <p><b>LTS 040100</b> SPN Mat. 78 Oud/Kalw. 12/10 Gem. Si/Kalf 100/9</p>	<p><b>AG 980338</b> SPN Mat. 87</p> <p><b>AG 930063</b> SPN Mat. 100 Oud/Kalw. 16/14 Gem. Si/Kalf 104/13</p> <p><b>LTS 010138</b> SPN Mat. 68 Silver</p> <p><b>LTS 010145</b> SPN Mat. 71 Oud/Kalw. 12/10 Gem. Si/Kalf 97/9</p>	<p><b>AG 930210</b> SPN Mat. 104 <b>AG 920184</b> SPN Mat. 102 <b>AG K 0066</b> SPN Mat. 101 <b>AG L 0017</b> SPN Mat. 102 <b>LTS 970019</b> SPN Mat. 92 <b>EH 930157</b> SPN Mat. 79 <b>LTS 950007</b> SPN Mat. 76 <b>LTS 950128</b> SPN Mat. 96</p>
--	---	---	---


### Lot 125B

8 Maande dragtig van LMR 16-050

<p><b>HP 130014</b> SPN Mat. 110 OEK 31 TKP 414 RI 105 Oud/Kalw. 6/4 Gem. Si/Kalf 106/4</p>	<p><b>CSW 080019</b> SPN Mat. 92</p>  <p><b>HP 100190</b> SPN Mat. 112 Oud/Kalw. 4/3 Gem. Si/Kalf 97/2</p>	<p><b>CSW 040084</b> SPN Mat. 83</p> <p><b>CSW 060022</b> SPN Mat. 114 Oud/Kalw. 13/9 Gem. Si/Kalf 106/9</p> <p><b>JMP 040125</b> SPN Mat. 94 Bron</p> <p><b>HP 040110</b> SPN Mat. 125 Oud/Kalw. 7/5 Gem. Si/Kalf 102/5</p>	<p><b>CSW 990118</b> SPN Mat. 80 <b>CSW 020002</b> SPN Mat. 101 <b>BG 020058</b> SPN Mat. 115 <b>CSW 030117</b> SPN Mat. 105 <b>BEI 950141</b> SPN Mat. 99 <b>JMP 970141</b> SPN Mat. 81 <b>HP 010044</b> SPN Mat. 115 <b>HP 020065</b> SPN Mat. 124</p>
---	---	--	--

### Lot 125C


8 Maande dragtig van LMR 14-224

<p><b>CRV 120112</b> SPN Mat. 109 OEK 28 TKP 420 RI 108 Oud/Kalw. 7/5 Gem. Si/Kalf 100/5</p>	<p><b>BPJ 080027</b> SPN Mat. 143</p>  <p><b>CRV 090198</b> SPN Mat. 104 Oud/Kalw. 3/1 Gem. Si/Kalf 105/1</p>	<p><b>BHE 030103</b> SPN Mat. 119 Bron</p> <p><b>BHE 040136</b> SPN Mat. 105 Oud/Kalw. 9/7 Gem. Si/Kalf 101/7</p> <p><b>LAR 000084</b> SPN Mat. 102</p> <p>Elite-Silwer <b>JBR 030042</b> SPN Mat. 125 Oud/Kalw. 14/12 Gem. Si/Kalf 103/10</p>	<p><b>BHE 010080</b> SPN Mat. 94 <b>RCO 010016</b> SPN Mat. 99 <b>AG 000125</b> SPN Mat. 79 <b>BHE 960021</b> SPN Mat. 116 <b>AG 960059</b> SPN Mat. 110 <b>LAR 970205</b> SPN Mat. 83 SPN Mat. <b>GVZ 950022</b> SPN Mat. 102</p>
--	--	--	--


## FEMALE ANIMALS

Lot	Seller	ID	PARENTS	Test	Breeding Value Indexes											Days Open	Breeder Own Remarks		
					DIRECT CALF TRAITS		DAUGHTER TRAITS			GROWTH		EFF.	REP	MEASURE-MENTS				R:	
					Progeny Birth Weight	Progeny Wean Weight	Ease of Calving	Milk prod.	Mature Weight	Post Wean Weight	Daily Gain	Feed Conv			Height & Length				
POLLED	SIRE GV PV	DAM GV PV	Genomic Tested DNA	Birth Dir		Wean Dir		Birth Mat	Wean Mat	Mat Wgt	Post Wean		ADG	FCR	SC	Hgt	Lgt	LHR	
				Acc	Acc	Acc	Acc	Acc	365d Ind	540d Ind	Ind	Ind	(mm)	(mm)	(mm)	BWR			
				Birth Date	Wgt kg	Wgt kg	Ind	kg	kg	kg	Ind	Ind	(mm)	(mm)	(mm)	WWR			
Gen				Birth Date	Wgt kg	Wgt kg	Ind	kg	kg	kg	365d Ind	540d Ind	Ind	Ind	(mm)	(mm)	(mm)	Calves	
<b>Pregnant Cows</b>																			
126 A	PAUL MARE BONSMARA STOET	LAR 140332	BP 100017	PW540	<b>102</b>	<b>102</b>	<b>88</b>	<b>126</b>	<b>114</b>	<b>114</b>	<b>109</b>	<b>97</b>	<b>115</b>	<b>97</b>	<b>109</b>	-	526	8 Maande dragtig van LAR 14-173	
					0.78	14.2	0.38	10.9	24.0	31.7	138	-40	21.8	-1	27	-	5.5		
					80	76	67	72	59	72	54	27	57	57	56	-	-		
		SP	LAR 100113		30.10.14	35												2	
<b>Cows with Calves</b>																			
126 B	PAUL MARE BONSMARA STOET	JL 110075	MMJ 070144	PW365	<b>80</b>	<b>110</b>	<b>87</b>	<b>155</b>	<b>127</b>	<b>118</b>	<b>124</b>	<b>114</b>	<b>109</b>	<b>114</b>	<b>121</b>	-	BONFLMR 200073		
					3.20	17.9	0.39	18.9	39.0	34.1	203	-77	16.6	13	43	-	25.03.20 (40)		
					84	80	78	81	62	68	65	37	70	71	69	-	BONMLAR 140173		
		SP	MMJ 050156	DNA	28.05.11	39													
<b>Pregnant Cows</b>																			
126 C	PAUL MARE BONSMARA STOET	LAR 130344	LAR 090349	PW540	<b>82</b>	<b>113</b>	<b>113</b>	<b>83</b>	<b>104</b>	<b>119</b>	<b>106</b>	<b>102</b>	<b>97</b>	<b>88</b>	<b>103</b>	-	785	8 Maande dragtig van LMR 16-050	
					2.96	18.9	-0.79	-1.0	14.0	35.0	124	-50	7.6	-8	17	-	6.5		
					80	77	68	73	45	72	60	28	64	64	63	-	-		
		SP	LAR 050340		13.10.13	38												2	
<b>Cows with Calves</b>																			
127 A	PAUL MARE BONSMARA STOET	LMR 130181	PAD 090196	PW540	<b>90</b>	<b>104</b>	<b>87</b>	<b>95</b>	<b>99</b>	<b>101</b>	<b>104</b>	<b>97</b>	<b>101</b>	<b>96</b>	<b>104</b>	-	BONMLMR 200088		
					2.12	14.9	0.40	2.5	9.0	22.1	113	-40	10.8	-2	19	-	30.03.20 (42)		
					82	77	70	71	42	71	56	34	60	61	59	-	BONMLMR 160050		
		SP	HRT 070010		30.08.13	34												34.1	
127 B	PAUL MARE BONSMARA STOET	LMR 140017	HJS 070400	PW540	<b>67</b>	<b>115</b>	<b>77</b>	<b>108</b>	<b>104</b>	<b>119</b>	<b>116</b>	<b>109</b>	<b>94</b>	<b>103</b>	<b>108</b>	-	BONFLMR 200109		
					4.51	20.0	0.87	6.0	14.0	34.7	168	-67	4.6	4	25	-	31.03.20 (40)		
					80	77	67	71	47	72	58	39	62	63	62	-	BONMLMR 160050		
		SP	RPE 080001		18.03.14	43												47.8	
127 C	PAUL MARE BONSMARA STOET	LMR 130231	AG 100045	PW540	<b>100</b>	<b>92</b>	<b>89</b>	<b>87</b>	<b>94</b>	<b>98</b>	<b>101</b>	<b>90</b>	<b>98</b>	<b>88</b>	<b>98</b>	-	BONFLMR 200103		
					1.06	9.9	0.32	0.4	3.0	20.2	98	-25	7.9	-8	11	-	30.03.20 (40)		
					81	77	70	76	38	70	56	20	61	61	60	-	BONMLMR 160090		
		SP	LMR 100075		27.03.13	37													


**Lot 126A** <sup>8</sup>Maande dragtig van LAR 14-173

<p><b>LAR 140332</b>                  SPN Mat. 126                  AFC 34                  ICP 432                  RI 97                  Age/Calv. 4/2                  Avg. WI/Calf 91/2</p>		<p><b>BP 100017</b>                  SPN Mat. 142</p> <p><b>LAR 100113</b>                  SPN Mat. 130                  Age/Calv. 7/5                  Avg. WI/Calf 110/5</p>	<p><b>WCS 060011</b>                  SPN Mat. 91</p> <p><b>BP 070007</b>                  AFC 38 SPN Mat. 146                  ICP 454 Age/Calv. 11/7                  Avg. WI/Calf 104/6</p> <p><b>LAR 070234</b>                  SPN Mat. 136</p> <p><b>LAR 990321</b>                  AFC 34 SPN Mat. 104                  ICP 372 Age/Calv. 14/12                  Avg. WI/Calf 98/12</p>	<p><b>BHE 020114</b>                  SPN Mat. 92  <b>WCS 030033</b>                  SPN Mat. 107  <b>BP 030020</b>                  SPN Mat. 144  <b>BP 040062</b>                  SPN Mat. 126  <b>LAR 030059</b>                  SPN Mat. 145  <b>LAR 020180</b>                  SPN Mat. 146  <b>LTS 930057</b>                  SPN Mat. 105  <b>LAR 900099</b>                  SPN Mat. 105</p>
--	---	---	--	--


**Lot 126B**

<p><b>JL 110075</b>                  SPN Mat. 155                  AFC 32                  ICP 374                  RI 111                  Age/Calv. 9/7                  Avg. WI/Calf 110/5</p>		<p><b>MMJ 070144</b>                  SPN Mat. 148</p> <p><b>MMJ 050156</b>                  AFC 31 SPN Mat. 126                  ICP 355 Age/Calv. 7/5                  RI 113 Avg. WI/Calf 101/5</p>	<p><b>BHE 030083</b>                  SPN Mat. 86                  Gold</p> <p><b>MMJ 000221</b>                  AFC 36 SPN Mat. 155                  ICP 366 Age/Calv. 9/7                  Avg. WI/Calf 113/7</p> <p><b>NFS 960350</b>                  SPN Mat. 117</p> <p><b>MMJ 020216</b>                  AFC 35 SPN Mat. 128                  ICP 417 Age/Calv. 4/2                  Avg. WI/Calf 107/2</p>	<p><b>RCO 980037</b>                  SPN Mat. 67  <b>BHE 990076</b>                  SPN Mat. 113  <b>VV 940061</b>                  SPN Mat. 111  <b>MMJ 920240</b>                  SPN Mat. 123  <b>NFS 920137</b>                  SPN Mat. 106  <b>AEM D 0057</b>                  SPN Mat. 130  <b>FCT 980063</b>                  SPN Mat. 122  <b>MMJ 960333</b>                  SPN Mat. 124</p>
---	---	--	--	---


**Lot 126C** <sup>8</sup>Maande dragtig van LMR 16-050

<p><b>LAR 130344</b>                  SPN Mat. 83                  AFC 37                  ICP 468                  RI 88                  Age/Calv. 4/2                  Avg. WI/Calf 96/2</p>		<p><b>LAR 090349</b>                  SPN Mat. 82</p> <p><b>LAR 050340</b>                  SPN Mat. 93                  Age/Calv. 11/8                  Avg. WI/Calf 104/8</p>	<p><b>LAR 040287</b>                  SPN Mat. 133</p> <p>Elite-Silver  <b>LAR 050189</b>                  AFC 34 SPN Mat. 85                  ICP 409 Age/Calv. 10/7                  Avg. WI/Calf 102/7</p> <p><b>LAR 000084</b>                  SPN Mat. 102</p> <p><b>LAR 990276</b>                  AFC 34 SPN Mat. 74                  ICP 372 Age/Calv. 11/9                  Avg. WI/Calf 99/8</p>	<p><b>LAR 020101</b>                  SPN Mat. 95  <b>LAR 000299</b>                  SPN Mat. 105  <b>LAR 020331</b>                  SPN Mat. 108  <b>LAR 000244</b>                  SPN Mat. 68  <b>AG 960059</b>                  SPN Mat. 110  <b>LAR 970205</b>                  SPN Mat. 83  <b>VV 960318</b>                  SPN Mat. 76  <b>LAR 940020</b>                  SPN Mat. 77</p>
---	---	---	--	--


**Lot 127A**

<p><b>LMR 130181</b>                  SPN Mat. 95                  AFC 37                  ICP 424                  RI 96                  Age/Calv. 7/4                  Avg. WI/Calf 104/2</p>		<p><b>PAD 090196</b>                  SPN Mat. 125</p> <p><b>HRT 070010</b>                  AFC 28 SPN Mat. 59                  ICP 434 Age/Calv. 7/5                  RI 105 Avg. WI/Calf 90/4</p>	<p><b>EI 040038</b>                  SPN Mat. 93</p> <p><b>SLH 950067</b>                  AFC 36 SPN Mat. 138                  ICP 496 Age/Calv. 19/13                  Avg. WI/Calf 103/12</p> <p><b>EI 980080</b>                  SPN Mat. 88</p> <p><b>LAR 020312</b>                  AFC 35 SPN Mat. 83                  ICP 466 Age/Calv. 11/7                  Avg. WI/Calf 102/5</p>	<p><b>EI 980080</b>                  SPN Mat. 88  <b>EI 990057</b>                  SPN Mat. 101  <b>AG 900146</b>                  SPN Mat. 106  <b>LAP N 0051</b>                  SPN Mat. 131  <b>BG 960125</b>                  SPN Mat. 100  <b>EI 950140</b>                  SPN Mat. 101  <b>LAR 000144</b>                  SPN Mat. 70  <b>LAR 980347</b>                  SPN Mat. 106</p>
--	---	--	--	--

**Lot 127B**

<p><b>LMR 140017</b>                  SPN Mat. 108                  AFC 36                  ICP 558                  RI 82                  Age/Calv. 6/3                  Avg. WI/Calf 105/2</p>		<p><b>HJS 070400</b>                  SPN Mat. 109</p> <p><b>RPE 080001</b>                  AFC 33 SPN Mat. 86                  ICP 425 Age/Calv. 6/4                  RI 102 Avg. WI/Calf 98/4</p>	<p><b>RCO 980037</b>                  SPN Mat. 67</p> <p>Elite-Gold  <b>HJS 000153</b>                  AFC 39 SPN Mat. 110                  ICP 366 Age/Calv. 15/13                  Avg. WI/Calf 99/12</p> <p><b>EI 980080</b>                  SPN Mat. 88</p> <p><b>LAR 980350</b>                  AFC 33 SPN Mat. 90                  ICP 417 Age/Calv. 13/10                  Avg. WI/Calf 101/9</p>	<p><b>TBR 910704</b>                  SPN Mat. 77  <b>RCO 950238</b>                  SPN Mat. 66  <b>HJS 920041</b>                  SPN Mat. 90  <b>HJS 920159</b>                  SPN Mat. 105  <b>BG 960125</b>                  SPN Mat. 100  <b>EI 950140</b>                  SPN Mat. 101  <b>LTS 930057</b>                  SPN Mat. 105  <b>LAR 940176</b>                  SPN Mat. 78</p>
---	---	--	---	---

**Lot 127C**

<p><b>LMR 130231</b>                  SPN Mat. 87                  AFC 35                  ICP 371                  RI 107                  Age/Calv. 7/5                  Avg. WI/Calf 100/4</p>		<p><b>AG 100045</b>                  SPN Mat. 91</p> <p><b>LMR 100075</b>                  AFC 36 SPN Mat. 66                  ICP 362 Age/Calv. 6/4                  RI 106 Avg. WI/Calf 78/3</p>	<p><b>AG 060027</b>                  SPN Mat. 93</p> <p><b>LA 960100</b>                  AFC 28 SPN Mat. 87                  ICP 425 Age/Calv. 15/12                  Avg. WI/Calf 96/9</p> <p><b>KAN 050048</b>                  SPN Mat. 84</p> <p><b>PMB 020370</b>                  AFC 31 SPN Mat. 99                  ICP 362 Age/Calv. 9/8                  Avg. WI/Calf 109/7</p>	<p><b>LAR 010176</b>                  SPN Mat. 84  <b>AG 020147</b>                  SPN Mat. 125  <b>AG 910035</b>                  SPN Mat. 97  <b>LA 930309</b>                  SPN Mat. 124  <b>BG 000093</b>                  SPN Mat. 93  <b>KAN 990058</b>                  SPN Mat. 101  <b>NFS 990172</b>                  SPN Mat. 73  <b>PMB 990369</b>                  SPN Mat. 107</p>
---	---	--	--	---

## VROULIKE DIERE

Lot	Verkoper	ID	OUERS	Toets	Teelwaarde indekse											Dae Oop	Gebruiker Eie Opmerkings	
					DIREKTE KALF EIENSKAPPE		DOGTER EIENSKAPPE			GROEI		DOEL	REP	MATES				V:
		POENA	VADER GV OV	Genomies Getoets	Geb Dir	Speen Dir	Geb Mat	Speen Mat	Volwas- se Gewig	Naspeen- gewig	GDT	VOV	SO	Hgt	Lgt	LHV	Oud	
		Gen	MOEDER GV OV	DNS	Akk	Akk	Akk	Akk	Akk	Akk	Akk	Akk	Akk	Akk	Akk	GGV		Kalwers
				Geb. dat.	Gew kg	Gew kg	Ind	kg	kg	kg	365d Ind	540d Ind	Ind	Ind	(mm)	(mm)	(mm)	

### Dragtige Koeie

128 A	PAUL MARE BONSMARA STOET	LMR 130089	LMR 080332	NS540	<b>92</b>	<b>106</b>	<b>84</b>	<b>94</b>	<b>109</b>	<b>117</b>	<b>113</b>	<b>104</b>	<b>103</b>	<b>106</b>	<b>105</b>	-	351	8 Maande dragtig van LMR 16-090
					1.89	16.1	0.52	2.2	20.0	33.2	156	-56	11.6	7	21	-	7.1	
			PMB 020047	08.04.13	39													
128 B	PAUL MARE BONSMARA STOET	LMR 130123	AG 100008	NS540	<b>104</b>	<b>107</b>	<b>120</b>	<b>78</b>	<b>99</b>	<b>110</b>	<b>98</b>	<b>99</b>	<b>91</b>	<b>88</b>	<b>104</b>	-	371	6 Maande dragtig van LMR 14-244
					0.60	16.3	-1.10	-2.3	8.0	28.5	86	-45	2.7	-8	20	-	7	
			LMR 080223	24.04.13	39													

### Koeie met Kalwers

128 C	PAUL MARE BONSMARA STOET	LMR 130031	LAR 060039	NS540	<b>85</b>	<b>105</b>	<b>124</b>	<b>77</b>	<b>108</b>	<b>100</b>	<b>91</b>	<b>86</b>	<b>106</b>	<b>92</b>	<b>104</b>	-	BONFLMR 200067	
					2.56	15.5	-1.27	-2.6	18.0	21.9	55	-15	14.0	-5	19	-	25.03.20 (25)	
			RPE 080001	26.03.13	42													
129 A	PAUL MARE BONSMARA STOET	LMR 130061	AG 100008	NS540	<b>90</b>	<b>114</b>	<b>109</b>	<b>94</b>	<b>105</b>	<b>106</b>	<b>106</b>	<b>102</b>	<b>109</b>	<b>110</b>	<b>111</b>	-	BONFLMR 200151	
					2.03	19.6	-0.61	2.1	15.0	25.9	121	-50	16.9	9	29	-	17.04.20 (40)	
			LAR 020312	01.04.13	40													


### Dragtige Koeie

129 B	PAUL MARE BONSMARA STOET	LMR 130107	LMR 080188	NS540	<b>88</b>	<b>100</b>	<b>86</b>	<b>79</b>	<b>111</b>	<b>104</b>	<b>96</b>	<b>89</b>	<b>92</b>	<b>89</b>	<b>104</b>	-	420	7 Maande dragtig van LMR 16-050
					2.26	13.3	0.43	-2.1	21.0	24.7	76	-23	3.2	-7	19	-	7	
			LMR 090075	18.04.13	39													


### Koeie met Kalwers

129 C	PAUL MARE BONSMARA STOET	LMR 130185	LMR 060150	NS540	<b>103</b>	<b>92</b>	<b>104</b>	<b>98</b>	<b>90</b>	<b>85</b>	<b>91</b>	<b>95</b>	<b>108</b>	<b>90</b>	<b>92</b>	-	BONFLMR 200111	
					0.71	9.6	-0.37	3.2	-2.0	11.0	54	-36	15.7	-6	2	-	27.03.20 (37)	
			LMR 030010	06.09.13	35													
																35.4		


**Lot 128A** <sup>8</sup> Maande dragtig van LMR 16-090

<p><b>LMR 130089</b> SPN Mat. 94 OEK 34 TKP 395 RI 104 Oud/Kalw. 6/4 Gem. Si/Kalf 97/3</p>	<p><b>LMR 080332</b> SPN Mat. 77</p>  <p><b>PMB 020047</b></p>	<p><b>LMR 050117</b> SPN Mat. 81 Goud</p> <p><b>LMR 030262</b> OEK 30 SPN Mat. 113 TKP 401 Oud/Kalw. 9/7 Gem. Si/Kalf 107/6</p> <p><b>NFS 980053</b> SPN Mat. 113 Brons</p> <p><b>PMB 990068</b> OEK 31 SPN Mat. 116 TKP 415 Oud/Kalw. 4/2 Gem. Si/Kalf 102/1</p>	<p><b>AG 970223</b> SPN Mat. 93 <b>LMR 970028</b> SPN Mat. 78 <b>PHR 000069</b> SPN Mat. 57 <b>LMR 950029</b> SPN Mat. 126 <b>NFS 920137</b> SPN Mat. 106 <b>NFS 910239</b> SPN Mat. 86 <b>NFS 930223</b> SPN Mat. 103 <b>PMB 950457</b> SPN Mat. 128</p>
--	---	---	---


**Lot 128B** <sup>6</sup> Maande dragtig van LMR 14-244

<p><b>LMR 130123</b> SPN Mat. 78 OEK 28 TKP 446 RI 105 Oud/Kalw. 6/4 Gem. Si/Kalf 96/4</p>	<p><b>AG 100008</b> SPN Mat. 88</p>  <p><b>LMR 080223</b></p>	<p><b>AG 060481</b> SPN Mat. 90</p> <p><b>AG 970106</b> OEK 26 SPN Mat. 80 TKP 392 Oud/Kalw. 15/13 Gem. Si/Kalf 95/12</p> <p><b>LMR 050260</b> SPN Mat. 94</p> <p><b>LMR 050365</b> OEK 29 SPN Mat. 80 TKP 448 Oud/Kalw. 9/6 Gem. Si/Kalf 93/4</p>	<p><b>LAR 010176</b> SPN Mat. 84 <b>AG 970157</b> SPN Mat. 105 <b>AG J 0008</b> SPN Mat. 88 <b>AG 950012</b> SPN Mat. 120 <b>LMR 990165</b> SPN Mat. 109 <b>LMR 020265</b> SPN Mat. 107 <b>BHE 990169</b> SPN Mat. 80 <b>LMR 000190</b> SPN Mat. 109</p>
--	--	--	--


**Lot 128C**

<p><b>LMR 130031</b> SPN Mat. 77 OEK 35 TKP 371 RI 107 Oud/Kalw. 7/5 Gem. Si/Kalf 98/4</p>	<p><b>LAR 060039</b> SPN Mat. 64</p>  <p><b>RPE 080001</b></p>	<p><b>EI 980080</b> SPN Mat. 88</p> <p><b>LAR 030080</b> OEK 35 SPN Mat. 73 TKP 381 Oud/Kalw. 8/6 Gem. Si/Kalf 100/5</p> <p><b>EI 980080</b> SPN Mat. 88</p> <p><b>LAR 980350</b> OEK 33 SPN Mat. 90 TKP 417 Oud/Kalw. 13/10 Gem. Si/Kalf 101/9</p>	<p><b>BG 960125</b> SPN Mat. 100 <b>EI 950140</b> SPN Mat. 101 <b>LAR 980272</b> SPN Mat. 57 <b>LAR 970251</b> SPN Mat. 111 <b>BG 960125</b> SPN Mat. 100 <b>EI 950140</b> SPN Mat. 101 <b>LTS 930057</b> SPN Mat. 105 <b>LAR 940176</b> SPN Mat. 78</p>
--	---	---	--


**Lot 129A**

<p><b>LMR 130061</b> SPN Mat. 94 OEK 36 TKP 497 RI 89 Oud/Kalw. 7/4 Gem. Si/Kalf 102/3</p>	<p><b>AG 100008</b> SPN Mat. 88</p>  <p><b>LAR 020312</b></p>	<p><b>AG 060481</b> SPN Mat. 90</p> <p><b>AG 970106</b> OEK 26 SPN Mat. 80 TKP 392 Oud/Kalw. 15/13 Gem. Si/Kalf 95/12</p> <p><b>LAR 000144</b> SPN Mat. 70</p> <p><b>LAR 980347</b> OEK 33 SPN Mat. 106 TKP 413 Oud/Kalw. 5/3 Gem. Si/Kalf 103/3</p>	<p><b>LAR 010176</b> SPN Mat. 84 <b>AG 970157</b> SPN Mat. 105 <b>AG J 0008</b> SPN Mat. 88 <b>AG 950012</b> SPN Mat. 120 <b>LAR 970170</b> SPN Mat. 45 <b>LAR 960092</b> SPN Mat. 103 <b>AG 940219</b> SPN Mat. 112 <b>LAR 940302</b> SPN Mat. 94</p>
--	--	--	--

**Lot 129B** <sup>7</sup> Maande dragtig van LMR 16-050

<p><b>LMR 130107</b> SPN Mat. 79 OEK 37 TKP 514 RI 85 Oud/Kalw. 6/3 Gem. Si/Kalf 97/2</p>	<p><b>LMR 080188</b> SPN Mat. 95</p>  <p><b>LMR 090075</b></p>	<p><b>LAR 030052</b> SPN Mat. 93</p> <p><b>LMR 030288</b> OEK 29 SPN Mat. 86 TKP 429 Oud/Kalw. 6/4 Gem. Si/Kalf 100/4</p> <p><b>PER 040065</b> SPN Mat. 59 Silver</p> <p><b>LMR 000105</b> OEK 32 SPN Mat. 81 TKP 422 Oud/Kalw. 17/13 Gem. Si/Kalf 101/12</p>	<p><b>AG 980338</b> SPN Mat. 87 <b>LAR 000319</b> SPN Mat. 96 <b>HDE 980132</b> SPN Mat. 75 <b>LMR 990036</b> SPN Mat. 117 <b>AG J 0008</b> SPN Mat. 88 <b>PER 000051</b> SPN Mat. 95 <b>AG 950204</b> SPN Mat. 43 <b>LMR 960035</b> SPN Mat. 111</p>
---	---	---	---

**Lot 129C**

<p><b>LMR 130185</b> SPN Mat. 98 OEK 29 TKP 375 RI 113 Oud/Kalw. 7/5 Gem. Si/Kalf 98/4</p>	<p><b>LMR 060150</b> SPN Mat. 92 Silver</p>  <p><b>LMR 030010</b></p>	<p><b>AG 980159</b> SPN Mat. 74</p> <p><b>AG 010266</b> OEK 36 SPN Mat. 101 TKP 588 Oud/Kalw. 9/5 Gem. Si/Kalf 99/5</p> <p><b>AG 990017</b> SPN Mat. 99</p> <p><b>LMR 960046</b> OEK 30 SPN Mat. 122 TKP 407 Oud/Kalw. 7/5 Gem. Si/Kalf 114/5</p>	<p><b>AG 960085</b> SPN Mat. 93 <b>AG 910189</b> SPN Mat. 83 <b>AG 980338</b> SPN Mat. 87 <b>AG 950102</b> SPN Mat. 98 <b>RCO 940144</b> SPN Mat. 78 <b>AG 910197</b> SPN Mat. 114 <b>AG 910241</b> SPN Mat. 65 <b>LMR 930038</b> SPN Mat. 99</p>
--	--	---	---

## FEMALE ANIMALS

Lot	Seller	ID	PARENTS	Test	Breeding Value Indexes										EFF.	REP	MEASUREMENTS	R:	Calf ID	Breeder Own Remarks
					Progeny Birth Weight	Progeny Wean Weight	Ease of Calving	Milk prod.	Mature Weight	Post Wean Weight	Daily Gain	Feed Conv	Height & Length	CALF AT FOOT						
Gen	POLLED	SIRE GV PV	DAM GV PV	Genomic Tested DNA Birth Date	Birth Dir Acc Wgt kg	Wean Dir Acc Wgt kg Ind	Birth Mat Acc kg	Wean Mat Acc kg	Mat Wgt Acc kg	Post Wean Acc 365dM Ind <sup>540d</sup> Ind	ADG Acc Ind	FCR Acc Ind	SC Acc (mm)	Hgt Acc (mm)	Lgt Acc (mm)	LHR BWR WWR	Birth Date (Weight) Sire GT / POLLED			

### Cows with Calves

130 A	PAUL MARE BONSMARA STOET	LMR 100041	AG 030256	PW540	<b>82</b>	<b>99</b>	<b>57</b>	<b>96</b>	<b>108</b>	<b>93</b>	<b>90</b>	<b>105</b>	<b>91</b>	<b>89</b>	<b>86</b>	-	BONMLMR 200078
					2.89	12.6	1.79	2.7	18.0	17.1	48	-58	2.8	-8	-6	-	30.03.20 (42)
			LMR 970133		84	81	80	84	57	76	60	42	63	64	63	-	BONMAG 090751
		SP		15.03.10	42											-	
130 B	PAUL MARE BONSMARA STOET	LMR 090003	LMR 050351	PW540	<b>105</b>	<b>89</b>	<b>95</b>	<b>93</b>	<b>113</b>	<b>90</b>	<b>79</b>	<b>89</b>	<b>119</b>	<b>77</b>	<b>83</b>	-	BONFLMR 200057
					0.45	8.2	0.03	2.0	24.0	14.5	1	-23	24.5	-17	-11	-	20.03.20 (41)
			LMR 050145		86	82	81	84	47	74	65	47	71	72	70	-	BONMLMR 160090
		SP		04.03.09	34											-	


### Pregnant Cows

130 C	PAUL MARE BONSMARA STOET	LMR 090005	LMR 020148	PW540	<b>106</b>	<b>87</b>	<b>89</b>	<b>117</b>	<b>98</b>	<b>85</b>	<b>90</b>	<b>98</b>	<b>86</b>	<b>96</b>	<b>98</b>	-	428
					0.41	7.4	0.33	8.6	7.0	11.0	52	-43	-1.8	-2	11	-	11.2
			LMR 020119		84	81	78	83	51	73	69	48	74	75	73	-	7
		SP		05.03.09	33											-	
131 A	PAUL MARE BONSMARA STOET	WSS 120101 PH SP	HFN 080139	PW540	<b>139</b>	<b>77</b>	<b>114</b>	<b>109</b>	<b>99</b>	<b>86</b>	<b>88</b>	<b>92</b>	<b>99</b>	<b>95</b>	<b>99</b>	-	407
					-3.14	2.9	-0.82	6.2	8.0	12.0	40	-29	8.5	-2	12	4.54	8.1
			WSS 090322	DNA	83	77	75	76	60	68	61	41	67	68	66	-	5
		SP		22.03.12	21											42	


### Cows with Calves

131 B	PAUL MARE BONSMARA STOET	LMR 100069	RGR 050028	PW540	<b>94</b>	<b>97</b>	<b>95</b>	<b>140</b>	<b>98</b>	<b>95</b>	<b>93</b>	<b>98</b>	<b>112</b>	<b>93</b>	<b>105</b>	-	BONFLMR 200081
					1.70	11.7	0.02	14.7	7.0	18.1	65	-42	19.4	-4	21	-	26.03.20 (37)
			LMR 050091		84	81	78	83	45	70	68	31	74	75	73	-	BONMLMR 160090
		SP		29.03.10	39											-	
131 C	PAUL MARE BONSMARA STOET	LMR 100193	LAR 060039	PW365	<b>110</b>	<b>83</b>	<b>143</b>	<b>100</b>	<b>92</b>	<b>80</b>	<b>76</b>	<b>89</b>	<b>98</b>	<b>78</b>	<b>86</b>	-	BONFLMR 200059
					-0.07	5.5	-2.14	3.9	1.0	7.8	-13	-23	8.3	-16	-7	-	17.03.20 (40)
			LMR 050082		84	79	79	80	51	68	63	38	67	68	67	-	BONMLMR 160050
		SP		08.09.10	35											-	


**Lot 130A**

<p><b>LMR 100041</b>                  SPN Mat. 96                  AFC 37                  ICP 361                  RI 109                  Age/Calv. 10/8                  Avg. WI/Calf 95/6</p>	<p><b>AG 030256</b>                  SPN Mat. 86</p> 	<p><b>AG 980338</b>                  SPN Mat. 87</p>	<p><b>AG 930210</b>                  SPN Mat. 104  <b>AG 920184</b>                  SPN Mat. 102  <b>AG K 0066</b>                  SPN Mat. 101  <b>AG L 0017</b>                  SPN Mat. 102  <b>PN Y 0015</b>                  SPN Mat. 65  <b>TLB B 0011</b>                  SPN Mat. 99  <b>LDW L 0160</b>                  SPN Mat. 99  <b>LMR 840010</b>                  SPN Mat. 93</p>
<p>AFC 30                  ICP 387</p>	<p><b>LMR 970133</b>                  SPN Mat. 112                  Age/Calv. 14/11                  Avg. WI/Calf 105/9</p>	<p><b>TLB J 0030</b>                  SPN Mat. 103</p>	<p><b>LMR 940070</b>                  SPN Mat. 104                  Age/Calv. 8/5                  Avg. WI/Calf 99/5</p>


**Lot 130B**

<p><b>LMR 090003</b>                  SPN Mat. 93                  AFC 37                  ICP 363                  RI 110                  Age/Calv. 11/9                  Avg. WI/Calf 98/7</p>	<p><b>LMR 050351</b>                  SPN Mat. 100                  Gold</p> 	<p><b>AG 970223</b>                  SPN Mat. 93</p>	<p><b>AG 920046</b>                  SPN Mat. 123  <b>AG 950001</b>                  SPN Mat. 118  <b>AG 920098</b>                  SPN Mat. 80  <b>LMR 930036</b>                  SPN Mat. 80  <b>AG 920046</b>                  SPN Mat. 123  <b>AG 950001</b>                  SPN Mat. 118  <b>AG 910241</b>                  SPN Mat. 65  <b>LMR 910052</b>                  SPN Mat. 106</p>
<p>AFC 30                  ICP 386</p>	<p><b>LMR 050145</b>                  SPN Mat. 82                  Age/Calv. 14/11                  Avg. WI/Calf 96/10</p>	<p><b>AG 970223</b>                  SPN Mat. 93</p>	<p><b>LMR 980061</b>                  SPN Mat. 76                  Age/Calv. 14/11                  Avg. WI/Calf 93/11</p>


**Lot 130C** 7 Maande dragtig van LAR 14-173

<p><b>LMR 090005</b>                  SPN Mat. 117                  AFC 37                  ICP 417                  RI 99                  Age/Calv. 10/7                  Avg. WI/Calf 106/8</p>	<p><b>LMR 020148</b>                  SPN Mat. 123                  Bronze</p> 	<p><b>LMR 990165</b>                  SPN Mat. 109                  Silver</p>	<p><b>LMR 940078</b>                  SPN Mat. 107  <b>LMR 950057</b>                  SPN Mat. 104  <b>TLB J 0030</b>                  SPN Mat. 103  <b>LMR 900045</b>                  SPN Mat. 132  <b>TBR 910704</b>                  SPN Mat. 77  <b>AG 950044</b>                  SPN Mat. 103  <b>RE K 0328</b>                  SPN Mat. 116  <b>LMR 900092</b>                  SPN Mat. 61</p>
<p>AFC 29                  ICP 388                  RI 111</p>	<p><b>LMR 020119</b>                  SPN Mat. 86                  Age/Calv. 12/10                  Avg. WI/Calf 97/9</p>	<p><b>LMR 960116</b>                  SPN Mat. 114                  Age/Calv. 10/7                  Avg. WI/Calf 103/4</p>	<p><b>AG 980033</b>                  SPN Mat. 67</p>


**Lot 131A** 8 Maande dragtig van LMR 16-388

<p><b>WSS 120101</b>                  SPN Mat. 109                  AFC 30                  ICP 410                  RI 107                  Age/Calv. 7/5                  Avg. WI/Calf 102/5</p>	<p><b>HFN 080139 P</b>                  SPN Mat. 125                  Bronze</p> 	<p><b>NFS 960350</b>                  SPN Mat. 117                  Elite-Bronze</p>	<p><b>NFS 920137</b>                  SPN Mat. 106  <b>AEM D 0057</b>                  SPN Mat. 130  <b>NFS 970312</b>                  SPN Mat. 137  <b>HFN 920016</b>                  SPN Mat. 97  <b>KHB 010012</b>                  SPN Mat. 68  <b>RCO 010044</b>                  SPN Mat. 110  <b>DV 940168</b>                  SPN Mat. 116  <b>KHB 920140</b>                  SPN Mat. 99</p>
<p>AFC 30                  ICP 403                  RI 109</p>	<p><b>WSS 090322</b>                  SPN Mat. 103                  Age/Calv. 4/2                  Avg. WI/Calf 100/1</p>	<p><b>HFN 040139</b>                  SPN Mat. 115                  Age/Calv. 13/10                  Avg. WI/Calf 101/10</p>	<p><b>KHB 040138</b>                  SPN Mat. 84</p>

**Lot 131B**

<p><b>LMR 100069</b>                  SPN Mat. 140                  AFC 34                  ICP 372                  RI 110                  Age/Calv. 10/8                  Avg. WI/Calf 112/7</p>	<p><b>RGR 050028</b>                  SPN Mat. 120</p> 	<p><b>RGR 020011</b>                  SPN Mat. 98</p>	<p><b>FCT 980067</b>                  SPN Mat. 101  <b>RGR 940051</b>                  SPN Mat. 90  <b>ZAK 990069</b>                  SPN Mat. 68  <b>RCO 920106</b>                  SPN Mat. 100  <b>AG 980338</b>                  SPN Mat. 87  <b>AG 950251</b>                  SPN Mat. 109  <b>TLB J 0030</b>                  SPN Mat. 103  <b>LMR 850055</b>                  SPN Mat. 101</p>
<p>AFC 36                  ICP 446                  RI 96</p>	<p><b>RGR 020064</b>                  SPN Mat. 107                  Age/Calv. 10/6                  Avg. WI/Calf 103/6</p>	<p><b>AG 010258</b>                  SPN Mat. 95</p>	<p><b>LMR 940034</b>                  SPN Mat. 135                  Age/Calv. 12/9                  Avg. WI/Calf 113/8</p>

**Lot 131C**



<p><b>LMR 100193</b>                  SPN Mat. 100                  AFC 36                  ICP 397                  RI 104                  Age/Calv. 10/7                  Avg. WI/Calf 107/4</p>	<p><b>LAR 060039</b>                  SPN Mat. 64</p> 	<p><b>EI 980080</b>                  SPN Mat. 88</p>	<p><b>BG 960125</b>                  SPN Mat. 100  <b>EI 950140</b>                  SPN Mat. 101  <b>LAR 980272</b>                  SPN Mat. 57  <b>LAR 970251</b>                  SPN Mat. 111  <b>AG 980338</b>                  SPN Mat. 87  <b>AG 950251</b>                  SPN Mat. 109  <b>TLB J 0030</b>                  SPN Mat. 103  <b>LMR 940019</b>                  SPN Mat. 112</p>
<p>AFC 35                  ICP 381</p>	<p><b>LAR 030080</b>                  SPN Mat. 73                  Age/Calv. 8/6                  Avg. WI/Calf 100/5</p>	<p><b>AG 010258</b>                  SPN Mat. 95</p>	<p><b>LMR 970141</b>                  SPN Mat. 102                  Age/Calv. 12/10                  Avg. WI/Calf 103/9</p>

## VROULIKE DIERE



Lot	Verkoper	ID	OUERS	Toets	Teelwaarde indekse											V:	KALF AAN HOEF	Gebruiker Eie Opmerkings				
					Nageslag Geboortegewig		Nageslag Speengewig		Gemak van Kalwing	Melk prod.	Volwas-se Gewig	Naspeen-gewig	Daaglikse Toename	Voer-omset	Hoogte & Lengte				Kalf ID			
Lot	Verkoper	ID	POENA	Gen	VADER	Genomies	Geb Dir	Speen Dir	Geb Mat	Speen Mat	Volw Gew	Naspeen	GDT	VOV	SO	Hgt	Lgt	LHV	Geboorte dat (Gewig)			
					GV	Getoets	Akk	Akk	Akk	Akk	Akk	Akk	Akk	Akk	Akk	Akk	Akk	Akk	Akk	Akk	GGV	Vaar
					OV	DNS	Akk	Akk	Akk	Akk	Akk	Akk	Akk	Akk	Akk	Akk	Akk	Akk	Akk	Akk	Akk	SGV
<b>Koeie met Kalwers</b>																						
132 A	PAUL MARE BONSMARA STOET	LMR 140365	SP	LMR 070316	NS540	111	84	93	117	85	88	93	102	100	76	85	-	BONMLMR 200072				
				LMR 100255		-0.14	6.2	0.14	8.6	-7.0	13.5	64	-50	9.5	-18	-7	-	BONMLMR 160050				
					27.10.14	30																
132 B	PAUL MARE BONSMARA STOET	LMR 140341	SP	AG 100008	NS540	88	126	110	104	113	119	116	108	119	115	122	-	BONFLMR 200001				
				LMR 080067		2.31	24.8	-0.67	4.8	24.0	34.8	170	-63	24.8	14	45	-	BONFLMR 200001				
					06.10.14	37											43.3					
132 C	PAUL MARE BONSMARA STOET	LMR 130169	SP	LMR 080188	NS540	91	104	95	99	112	110	107	94	109	108	115	-	BONMLMR 190418				
				LMR 090001		1.95	15.3	0.03	3.7	23.0	28.8	125	-34	17.1	8	36	-	BONMLMR 190418				
					17.08.13	33											43.8	BONMBBM 120194				
133 A	PAUL MARE BONSMARA STOET	LMR 110009	SP	LMR 070316	NS540	112	87	117	109	96	81	71	85	98	67	83	-	BONMLMR 200050				
				LMR 030053		-0.29	7.6	-0.95	6.2	5.0	8.4	-37	-13	8.1	-25	-11	-	BONMLMR 200050				
					14.03.11	32											43.2	BONMLMR 160090				
133 B	PAUL MARE BONSMARA STOET	LMR 110057	SP	LMR 060150	NS540	94	92	91	61	82	83	81	95	75	81	86	-	BONFLMR 200065				
				LMR 030148		1.67	9.6	0.24	-6.9	-10.0	9.7	8	-35	-10.1	-13	-6	-	BONFLMR 200065				
					30.03.11	35												BONMLMR 160050				
<b>Dragtige Koeie</b>																						
133 C	PAUL MARE BONSMARA STOET	LMR 110127	SP	LMR 060078	NS540	76	102	98	72	100	85	82	84	92	80	90	-	383				
				AG 970108		3.62	14.0	-0.11	-4.0	10.0	11.5	12	-11	3.4	-15	-1	-	8.6	8 Maande dragtig van LMR 14-244			
					06.09.11	39											49.8	5				





### Lot 132A

<p><b>LMR 140365</b> SPN Mat. 117 OEK 35 TKP 461 RI 94 Oud/Kalw. 5/3 Gem. Sl/Kalf 100/2</p>		<p><b>AG 020193</b> SPN Mat. 110</p> <p><b>LMR 030010</b> OEK 35 SPN Mat. 121 TKP 411 Oud/Kalw. 13/10 Gem. Sl/Kalf 104/9</p> <p><b>WBB 060003</b> V SPN Mat. 89 Goud</p> <p><b>LMR 070017</b> OEK 30 SPN Mat. 110 TKP 478 Oud/Kalw. 5/3 Gem. Sl/Kalf 102/2</p>		<p><b>AG 980338</b> SPN Mat. 87 <b>AG 950001</b> SPN Mat. 118 <b>AG 990017</b> SPN Mat. 99 <b>LMR 960046</b> SPN Mat. 122 <b>LAR 010176</b> SPN Mat. 84 <b>AG 020175</b> SPN Mat. 61 <b>BG 010028</b> SPN Mat. 105 <b>LMR 980056</b> SPN Mat. 108</p>
---	---	--	---	---



### Lot 132B

<p><b>LMR 140341</b> SPN Mat. 104 OEK 37 TKP 410 RI 96 Oud/Kalw. 5/3 Gem. Sl/Kalf 103/1</p>		<p><b>AG 060481</b> SPN Mat. 90</p> <p><b>AG 970106</b> OEK 26 SPN Mat. 80 TKP 392 Oud/Kalw. 15/13 Gem. Sl/Kalf 95/12</p> <p><b>LMR 020148</b> A SPN Mat. 123 Bron</p> <p><b>LA 970199</b> OEK 37 SPN Mat. 124 TKP 428 Oud/Kalw. 14/10 Gem. Sl/Kalf 107/9</p>		<p><b>LAR 010176</b> SPN Mat. 84 <b>AG 970157</b> SPN Mat. 105 <b>AG J 0008</b> SPN Mat. 88 <b>AG 950012</b> SPN Mat. 120 <b>LMR 990165</b> SPN Mat. 109 <b>LMR 960116</b> SPN Mat. 114 <b>GB 920056</b> SPN Mat. 112 <b>LA K 0019</b> SPN Mat. 102</p>
---	---	---	---	---



### Lot 132C

<p><b>LMR 130169</b> SPN Mat. 99 OEK 38 TKP 394 RI 99 Oud/Kalw. 6/4 Gem. Sl/Kalf 99/3</p>		<p><b>LAR 030052</b> SPN Mat. 93</p> <p><b>LMR 030288</b> OEK 29 SPN Mat. 86 TKP 429 Oud/Kalw. 6/4 Gem. Sl/Kalf 100/4</p> <p><b>LMR 050108</b> &lt; SPN Mat. 69 Silver</p> <p><b>SER 050031</b> OEK 28 SPN Mat. 106 TKP 455 Oud/Kalw. 6/4 Gem. Sl/Kalf 107/4</p>		<p><b>AG 980338</b> SPN Mat. 87 <b>LAR 000319</b> SPN Mat. 96 <b>HDE 980132</b> SPN Mat. 75 <b>LMR 990036</b> SPN Mat. 117 <b>AG 970223</b> SPN Mat. 93 <b>LMR 980065</b> SPN Mat. 84</p> <p>SPN Mat. <b>SER 970047</b> SPN Mat. 94</p>
---	---	--	---	---

### Lot 133A



<p><b>LMR 110009</b> SPN Mat. 109 OEK 36 TKP 364 RI 109 Oud/Kalw. 9/7 Gem. Sl/Kalf 108/6</p>		<p><b>AG 020193</b> SPN Mat. 110</p> <p><b>LMR 030010</b> OEK 35 SPN Mat. 121 TKP 411 Oud/Kalw. 13/10 Gem. Sl/Kalf 104/9</p> <p><b>AG 970223</b> SPN Mat. 93</p> <p><b>LMR 970063</b> OEK 31 SPN Mat. 84 TKP 369 Oud/Kalw. 8/6 Gem. Sl/Kalf 104/6</p>		<p><b>AG 980338</b> SPN Mat. 87 <b>AG 950001</b> SPN Mat. 118 <b>AG 990017</b> SPN Mat. 99 <b>LMR 960046</b> SPN Mat. 122 <b>AG 920046</b> SPN Mat. 123 <b>AG 950001</b> SPN Mat. 118 <b>AG 920098</b> SPN Mat. 80 <b>LMR 900059</b> SPN Mat. 90</p>
--	---	---	---	--

### Lot 133B

<p><b>LMR 110057</b> SPN Mat. 61 OEK 35 TKP 367 RI 109 Oud/Kalw. 9/7 Gem. Sl/Kalf 91/6</p>		<p><b>AG 980159</b> SPN Mat. 74</p> <p><b>AG 010266</b> OEK 36 SPN Mat. 101 TKP 588 Oud/Kalw. 9/5 Gem. Sl/Kalf 99/5</p> <p><b>AG 990166</b> SPN Mat. 80</p> <p><b>NFS 960153</b> OEK 29 SPN Mat. 80 TKP 383 Oud/Kalw. 10/8 Gem. Sl/Kalf 95/7</p>		<p><b>AG 960085</b> SPN Mat. 93 <b>AG 910189</b> SPN Mat. 83 <b>AG 980338</b> SPN Mat. 87 <b>AG 950102</b> SPN Mat. 98 <b>AG 950284</b> SPN Mat. 58 <b>AG 920102</b> SPN Mat. 78 <b>NFS 920137</b> SPN Mat. 106 <b>NFS 900204</b> SPN Mat. 75</p>
--	---	--	---	---

### Lot 133C

Maande dragtig van LMR 14-244

<p><b>LMR 110127</b> SPN Mat. 72 OEK 38 TKP 407 RI 99 Oud/Kalw. 8/5 Gem. Sl/Kalf 95/4</p>		<p><b>AG 020193</b> SPN Mat. 110</p> <p><b>LMR 980009</b> OEK 37 SPN Mat. 101 TKP 421 Oud/Kalw. 10/7 Gem. Sl/Kalf 103/5</p> <p><b>TBR 910704</b> SPN Mat. 77</p> <p><b>AG 940054</b> OEK 40 SPN Mat. 84 TKP 389 Oud/Kalw. 5/3 Gem. Sl/Kalf 100/3</p>		<p><b>AG 980338</b> SPN Mat. 87 <b>AG 950001</b> SPN Mat. 118 <b>AG 920143</b> SPN Mat. 98 <b>LMR 940058</b> SPN Mat. 99 <b>TBR K 0694</b> SPN Mat. 97 <b>AE H 0188</b> SPN Mat. 71 <b>AG 910175</b> SPN Mat. 112 <b>AG E 0018</b> SPN Mat. 96</p>
---	---	--	---	--

## FEMALE ANIMALS

Lot	Seller	ID	PARENTS	Test	Breeding Value Indexes											LHR	Days Open	Breeder Own Remarks	
					DIRECT CALF TRAITS		DAUGHTER TRAITS			GROWTH		EFF.	REP	MEASURE-MENTS					R:
POLLED	SIRE GV PV	DAM GV PV	Genomic Tested DNA	Birth Dir Acc	Progeny Wean Weight		Ease of Calving Acc	Milk prod. Acc	Mature Weight Acc	Post Wean Weight		Daily Gain Acc	Feed Conv Acc	SC Acc	Hgt Acc	Lgt Acc	WWR		Age
					Progeny Birth Weight	Progeny Wean Weight				365d Ind	540d Ind								

### Pregnant Cows

134 A	PAUL MARE BONSMARA STOET	LMR 110061 SP	PER 040065	PW540	<b>90</b>	<b>103</b>	<b>93</b>	<b>88</b>	<b>72</b>	<b>98</b>	<b>107</b>	<b>111</b>	<b>102</b>	<b>90</b>	<b>93</b>	-	365	7 Maande dragtig van LMR 16-050
			AG 980123		2.10	14.4	0.12	0.4	-20.0	20.6	127	-69	11.3	-7	3	-	9.1	
				30.03.11	39													

### Cows with Calves

134 B	PAUL MARE BONSMARA STOET	LMR 110081 SP	PAD 070131	PW540	<b>100</b>	<b>95</b>	<b>104</b>	<b>74</b>	<b>109</b>	<b>103</b>	<b>97</b>	<b>86</b>	<b>95</b>	<b>90</b>	<b>96</b>	-	BONFLMR 200137	
			LTS 040100		1.04	11.2	-0.39	-3.5	19.0	23.6	81	-16	5.8	-7	7	-	09.04.20 (27)	
				11.04.11	38													

### Pregnant Cows

134 C	PAUL MARE BONSMARA STOET	LMR 110091 SP	LAR 040172	PW540	<b>94</b>	<b>100</b>	<b>98</b>	<b>106</b>	<b>105</b>	<b>106</b>	<b>107</b>	<b>108</b>	<b>96</b>	<b>100</b>	<b>102</b>	-	354	8 Maande dragtig van AG 09-751
			LMR 030128		1.67	13.1	-0.11	5.4	15.0	25.8	127	-63	6.4	1	16	-	9	
				15.04.11	39													

### Cows with Calves

135 A	PAUL MARE BONSMARA STOET	LMR 110099 SP	LAR 070090	PW540	<b>79</b>	<b>108</b>	<b>99</b>	<b>136</b>	<b>113</b>	<b>118</b>	<b>98</b>	<b>102</b>	<b>107</b>	<b>98</b>	<b>103</b>	-	BONMLMR 200092	
			LMR 050008		3.29	17.0	-0.15	13.8	24.0	34.1	86	-52	15.2	0	18	-	10.04.20 (40)	
				26.04.11	44													


### Pregnant Cows

135 B	PAUL MARE BONSMARA STOET	LMR 110117 SP	LMR 060150	PW540	<b>89</b>	<b>99</b>	<b>115</b>	<b>88</b>	<b>65</b>	<b>87</b>	<b>79</b>	<b>97</b>	<b>103</b>	<b>74</b>	<b>81</b>	-	437	6 Maande dragtig van LMR 16-050
			LMR 050121		2.14	13.0	-0.87	0.4	-28.0	12.4	0	-40	12.1	-19	-14	-	9	
				10.05.11	38													


### Cows with Calves

135 C	PAUL MARE BONSMARA STOET	LMR 110119 SP	LAR 040172	PW540	<b>92</b>	<b>105</b>	<b>88</b>	<b>137</b>	<b>107</b>	<b>112</b>	<b>102</b>	<b>100</b>	<b>120</b>	<b>103</b>	<b>102</b>	-	BONMLMR 200094	
			LMR 040094		1.86	15.4	0.36	13.9	17.0	30.2	104	-47	25.6	4	17	-	10.04.20 (40)	
				25.05.11	36													


**Lot 134A** <sup>7</sup>Maande dragtig van LMR 16-050

<p><b>LMR 110061</b>                  SPN Mat. 88                  AFC 39                  ICP 445                  RI 92                  Age/Calv. 8/5                  Avg. WI/Calf 100/5</p>	<p><b>PER 040065</b>                  SPN Mat. 59                  Silver</p> 	<p><b>AG 980123</b>                  SPN Mat. 105                  Age/Calv. 15/11                  Avg. WI/Calf 107/10</p>	<p><b>AG J 0008</b>                  SPN Mat. 88                  Elite-Gold  <b>PER 000051</b>                  AFC 35 SPN Mat. 95                  ICP 392 Age/Calv. 14/11                  Avg. WI/Calf 100/10  <b>TBR 910704</b>                  SPN Mat. 77</p>	<p><b>AG D 0103</b>                  SPN Mat. 91  <b>AG X 0031</b>                  SPN Mat. 104  <b>VV 940061</b>                  SPN Mat. 111  <b>PER 960036</b>                  SPN Mat. 80  <b>TBR K 0694</b>                  SPN Mat. 97  <b>AE H 0188</b>                  SPN Mat. 71  <b>AG 920127</b>                  SPN Mat. 79  <b>AG 920180</b>                  SPN Mat. 97</p>


**Lot 134B**

<p><b>LMR 110081</b>                  SPN Mat. 74                  AFC 36                  ICP 366                  RI 109                  Age/Calv. 9/7                  Avg. WI/Calf 95/6</p>	<p><b>PAD 070131</b>                  SPN Mat. 82</p> 	<p><b>LTS 040100</b>                  SPN Mat. 78                  Age/Calv. 12/10                  Avg. WI/Calf 100/9</p>	<p><b>EI 980080</b>                  SPN Mat. 88  <b>EI 990057</b>                  SPN Mat. 101  <b>AG 900146</b>                  SPN Mat. 106  <b>SEP 910090</b>                  SPN Mat. 95  <b>LTS 970019</b>                  SPN Mat. 92  <b>EH 930157</b>                  SPN Mat. 79  <b>LTS 950007</b>                  SPN Mat. 76  <b>LTS 950128</b>                  SPN Mat. 96</p>


**Lot 134C** <sup>8</sup>Maande dragtig van AG 09-751

<p><b>EMR 110091</b>                  SPN Mat. 106                  AFC 35                  ICP 376                  RI 107                  Age/Calv. 8/6                  Avg. WI/Calf 102/6</p>	<p><b>LAR 040172</b>                  SPN Mat. 116</p> 	<p><b>AG 950204</b>                  SPN Mat. 43</p>	<p><b>AG 960059</b>                  SPN Mat. 110  <b>LAR 970205</b>                  SPN Mat. 83  <b>LAR 940004</b>                  SPN Mat. 84  <b>LAR N 0155</b>                  SPN Mat. 91  <b>AG 930125</b>                  SPN Mat. 46  <b>AG L 0032</b>                  SPN Mat. 76  <b>TLB J 0030</b>                  SPN Mat. 103  <b>LMR 950060</b>                  SPN Mat. 139</p>


**Lot 135A**

<p><b>LMR 110099</b>                  SPN Mat. 136                  AFC 35                  ICP 443                  RI 97                  Age/Calv. 9/6                  Avg. WI/Calf 107/5</p>	<p><b>LAR 070090</b>                  SPN Mat. 124</p> 	<p><b>LMR 050008</b>                  SPN Mat. 112                  Age/Calv. 12/9                  Avg. WI/Calf 99/9</p>	<p><b>BG 020058</b>                  SPN Mat. 115  <b>BG 000021</b>                  SPN Mat. 100  <b>LAR 020331</b>                  SPN Mat. 108  <b>LAR 000032</b>                  SPN Mat. 108  <b>VV 960318</b>                  SPN Mat. 76  <b>LAR 950050</b>                  SPN Mat. 153  <b>LMR 940078</b>                  SPN Mat. 107  <b>LMR 980187</b>                  SPN Mat. 106</p>

**Lot 135B** <sup>6</sup>Maande dragtig van LMR 16-050

<p><b>LMR 110117</b>                  SPN Mat. 88                  AFC 35                  ICP 446                  RI 97                  Age/Calv. 8/5                  Avg. WI/Calf 107/6</p>	<p><b>LMR 060150</b>                  SPN Mat. 92                  Silver</p> 	<p><b>AG 010266</b>                  SPN Mat. 101                  Age/Calv. 9/5                  Avg. WI/Calf 99/5  <b>AG 990017</b>                  SPN Mat. 99</p>	<p><b>AG 960085</b>                  SPN Mat. 93  <b>AG 910189</b>                  SPN Mat. 83  <b>AG 980338</b>                  SPN Mat. 87  <b>AG 950102</b>                  SPN Mat. 98  <b>RCO 940144</b>                  SPN Mat. 78  <b>AG 910197</b>                  SPN Mat. 114  <b>AG 970002</b>                  SPN Mat. 79  <b>LMR 950084</b>                  SPN Mat. 100</p>

**Lot 135C**

<p><b>LMR 110119</b>                  SPN Mat. 137                  AFC 34                  ICP 366                  RI 110                  Age/Calv. 9/7                  Avg. WI/Calf 113/6</p>	<p><b>LAR 040172</b>                  SPN Mat. 116</p> 	<p><b>LMR 040094</b>                  SPN Mat. 115                  Age/Calv. 15/12                  Avg. WI/Calf 106/13</p>	<p><b>AG 960059</b>                  SPN Mat. 110  <b>LAR 970205</b>                  SPN Mat. 83  <b>LAR 940004</b>                  SPN Mat. 84  <b>LAR N 0155</b>                  SPN Mat. 91  <b>AG C 0016</b>                  SPN Mat. 51  <b>HWB 920009</b>                  SPN Mat. 113  <b>AG 910241</b>                  SPN Mat. 65  <b>LMR 930060</b>                  SPN Mat. 105</p>

## VROULIKE DIERE

Lot	Verkoper	ID	OUERS	Toets	Teelwaarde indekse											Dae Oop	Gebruiker Eie Opmerkings	
					DIREKTE KALF EIENSKAPPE		DOGTER EIENSKAPPE			GROEI		DOEL	REP	MATES				V:
		VADER GV OV		Genomies Getoets	Geb Dir	Speen Dir	Geb Mat	Speen Mat	Volwas- se Gew	Naspeen	GDT	VOV	SO	Hgt	Lgt	LHV	Oud	
		MOEDER GV OV		DNS	Akk	Akk	Akk	Akk	Akk	Akk	Akk	Akk	Akk	Akk	Akk	GGV		Kalwers
		Gen		Geb. dat.	Gew kg	Gew kg	Ind	kg	kg	kg	365d Ind	540d Ind	Ind	Ind	(mm)	(mm)		


### Dragtige Koeie

136 A	PAUL MARE BONSMARA STOET	LMR 120177  SP	AG 080158	NS540	<b>82</b>	<b>106</b>	<b>94</b>	<b>98</b>	<b>110</b>	<b>104</b>	<b>89</b>	<b>96</b>	<b>87</b>	<b>87</b>	<b>97</b>	-	353	8 Maande dragtig van LMR 16-124
					2.93	15.8	0.07	3.2	21.0	24.6	43	-37	-0.8	-9	10	-	7.6	
			LMR 080013	07.09.12	43													


### Koeie met Kalwers

136 B	PAUL MARE BONSMARA STOET	LMR 130363  SP	AEJ 090102	NS540	<b>93</b>	<b>112</b>	<b>116</b>	<b>115</b>	<b>102</b>	<b>110</b>	<b>99</b>	<b>104</b>	<b>103</b>	<b>93</b>	<b>107</b>	-	BONMLMR 200054	
					1.78	18.5	-0.92	8.0	11.0	28.6	93	-54	12.3	-4	24	-	17.03.20 (35)	
			AEJ 080254	29.10.13	38													
136 C	PAUL MARE BONSMARA STOET	LMR 120215  SP	AG 070124	NS540	<b>80</b>	<b>105</b>	<b>70</b>	<b>114</b>	<b>87</b>	<b>102</b>	<b>107</b>	<b>105</b>	<b>99</b>	<b>103</b>	<b>101</b>	-	BONMLMR 190414	
					3.11	15.6	1.19	7.5	-5.0	23.0	125	-58	8.7	4	15	-	31.12.19 (42)	
			LMR 090121	17.03.12	38													
137 A	PAUL MARE BONSMARA STOET	LMR 090137  SP	AG 030046	NS540	<b>89</b>	<b>104</b>	<b>73</b>	<b>83</b>	<b>91</b>	<b>105</b>	<b>105</b>	<b>100</b>	<b>110</b>	<b>110</b>	<b>106</b>	-	BONFLMR 200139	
					2.21	15.2	1.04	-1.0	0.0	25.4	120	-46	17.2	10	22	-	09.04.20 (34)	
			LMR 040061	31.03.09	39													
137 B	PAUL MARE BONSMARA STOET	LMR 090265  SP	LMR 060150	NS540	<b>107</b>	<b>88</b>	<b>119</b>	<b>94</b>	<b>86</b>	<b>80</b>	<b>83</b>	<b>103</b>	<b>91</b>	<b>91</b>	<b>91</b>	-	BONFLMR 200063	
					0.32	7.8	-1.07	2.1	-6.0	7.6	17	-54	2.4	-6	2	-	24.03.20 (42)	
			LMR 070085	24.10.09	35													
137 C	PAUL MARE BONSMARA STOET	LMR 100369  SP	PER 000077	NS365	<b>108</b>	<b>88</b>	<b>137</b>	<b>79</b>	<b>99</b>	<b>88</b>	<b>85</b>	<b>95</b>	<b>72</b>	<b>92</b>	<b>91</b>	-	BONMLMR 200080	
					0.14	8.0	-1.86	-2.0	8.0	13.5	28	-36	-12.8	-5	1	-	31.03.20 (30)	
			LAR 020301	07.12.10	37													


**Lot 136A** 8 Maande dragtig van LMR 16-124

<p><b>LMR 120177</b> SPN Mat. 98 OEK 37 TKP 442 RI 94 Oud/Kalw. 7/4 Gem. Si/Kalf 98/4</p>	<p><b>AG 080158</b> SPN Mat. 115</p> 	<p><b>LMR 080013</b> OEK 40 SPN Mat. 82 TKP 383 Oud/Kalw. 12/9 RI 105 Gem. Si/Kalf 97/8</p>	<p><b>EI 940339</b> SPN Mat. 117</p>	<p><b>EI 920079</b> SPN Mat. 129 <b>EI 920048</b> SPN Mat. 105 <b>LAR 010176</b> SPN Mat. 84</p>


**Lot 136B**

<p><b>LMR 130363</b> SPN Mat. 115 OEK 34 TKP 430 RI 99 Oud/Kalw. 6/4 Gem. Si/Kalf 110/3</p>	<p><b>AEJ 090102</b> SPN Mat. 84</p> 	<p><b>AEJ 080254</b> OEK 30 SPN Mat. 117 TKP 391 Oud/Kalw. 11/9 RI 110 Gem. Si/Kalf 99/7</p>	<p><b>AG 020251</b> SPN Mat. 120 Goud</p>	<p><b>AG 980338</b> SPN Mat. 87 <b>AG 950206</b> SPN Mat. 127 <b>AEJ 990090</b> SPN Mat. 92 <b>AEJ 990145</b> SPN Mat. 59 <b>VV 950281</b> SPN Mat. 98 <b>KHR 980012</b> SPN Mat. 111 <b>AG 010208</b> SPN Mat. 114 <b>AEJ 020155</b> SPN Mat. 83</p>


**Lot 136C**

<p><b>LMR 120215</b> SPN Mat. 114 OEK 38 TKP 425 RI 96 Oud/Kalw. 8/5 Gem. Si/Kalf 101/4</p>	<p><b>AG 070124</b> SPN Mat. 101</p> 	<p><b>LMR 090121</b> OEK 36 SPN Mat. 110 TKP 542 Oud/Kalw. 4/2 RI 86 Gem. Si/Kalf 106/1</p>	<p><b>RCO 000091</b> SPN Mat. 70</p>	<p><b>AG J 0008</b> SPN Mat. 88 <b>RCO 970137</b> SPN Mat. 80 <b>AG 950059</b> SPN Mat. 102 <b>AG 960190</b> SPN Mat. 95 <b>AG 980338</b> SPN Mat. 87 <b>AG 980123</b> SPN Mat. 105 <b>JHO 940077</b> SPN Mat. 104 <b>LMR 960076</b> SPN Mat. 66</p>


**Lot 137A**

<p><b>LMR 090137</b> SPN Mat. 83 OEK 39 TKP 404 RI 101 Oud/Kalw. 11/8 Gem. Si/Kalf 98/6</p>	<p><b>AG 030046</b> SPN Mat. 88</p> 	<p><b>LMR 040061</b> OEK 29 SPN Mat. 88 TKP 386 Oud/Kalw. 12/10 RI 111 Gem. Si/Kalf 102/9</p>	<p><b>AG 980338</b> SPN Mat. 87</p>	<p><b>AG 930210</b> SPN Mat. 104 <b>AG 920184</b> SPN Mat. 102 <b>TBR 910704</b> SPN Mat. 77 <b>AG 950323</b> SPN Mat. 90 <b>PHR 920043</b> SPN Mat. 63 <b>PHR 970131</b> SPN Mat. 77 <b>JHO 940077</b> SPN Mat. 104 <b>LMR 920096</b> SPN Mat. 102</p>

**Lot 137B**

<p><b>LMR 090265</b> SPN Mat. 94 OEK 34 TKP 395 RI 106 Oud/Kalw. 10/8 Gem. Si/Kalf 98/7</p>	<p><b>LMR 060150</b> SPN Mat. 92 Silver</p> 	<p><b>LMR 070085</b> OEK 31 SPN Mat. 97 TKP 695 Oud/Kalw. 4/2 RI 87 Gem. Si/Kalf 106/2</p>	<p><b>AG 980159</b> SPN Mat. 74</p>	<p><b>AG 960085</b> SPN Mat. 93 <b>AG 910189</b> SPN Mat. 83 <b>AG 980338</b> SPN Mat. 87 <b>AG 950102</b> SPN Mat. 98 <b>AG 980338</b> SPN Mat. 87 <b>AG 950206</b> SPN Mat. 127 <b>CX N 0034</b> SPN Mat. 109 <b>LMR 920031</b> SPN Mat. 107</p>

**Lot 137C**

<p><b>LMR 100369</b> SPN Mat. 79 OEK 33 TKP 398 RI 106 Oud/Kalw. 9/7 Gem. Si/Kalf 99/6</p>	<p><b>PER 000077</b> SPN Mat. 97 Goud</p> 	<p><b>LAR 020301</b> OEK 35 SPN Mat. 82 TKP 398 Oud/Kalw. 11/8 RI 105 Gem. Si/Kalf 97/7</p>	<p><b>VV 940061</b> SPN Mat. 111</p>	<p><b>VV 910327</b> SPN Mat. 147 <b>VV N 0287</b> SPN Mat. 98 <b>AG 910118</b> SPN Mat. 112 <b>PER 910032</b> SPN Mat. 96 <b>VV 960318</b> SPN Mat. 76 <b>LAR 950050</b> SPN Mat. 153 <b>AG N 0081</b> SPN Mat. 70 <b>LAR 900338</b> SPN Mat. 122</p>